



SERIE: PILOT

REF. B-003081

Descripción

Collection of LED outdoor wall lights, equipped with high performance light emitting diode. Body made of aluminum injection, diffuser in PC opal. Protection against the penetration of solid and liquid particles. Allows its installation outdoors. Pre-wired luminaire

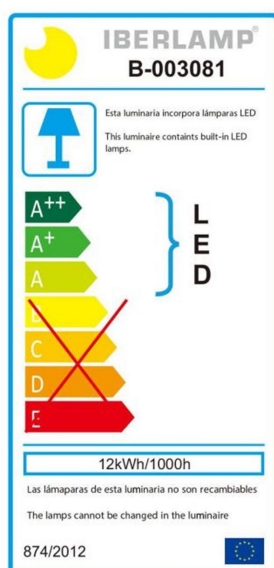


FINISHES AVAILABLE

DARK GREY

MATT BLACK

ENERGY EFFICIENCY



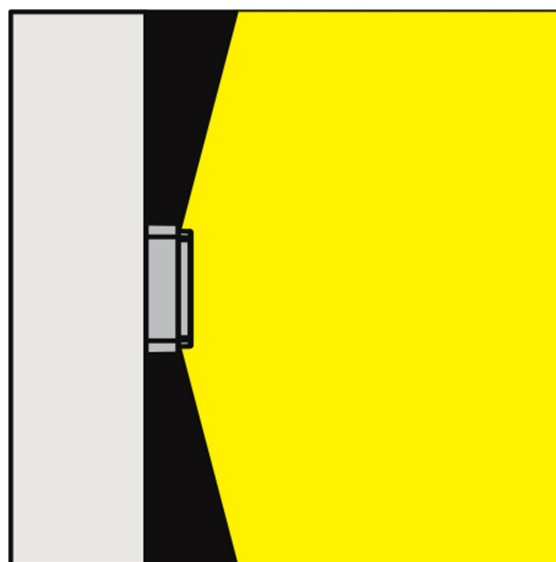
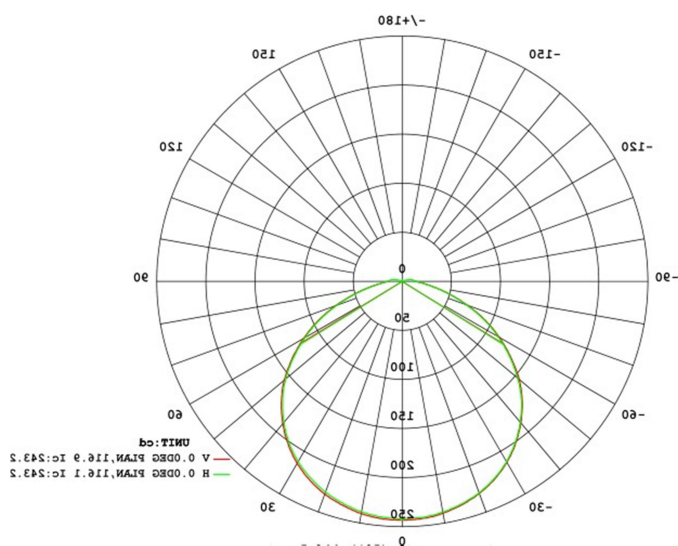
TECHNICAL DATA SHEET

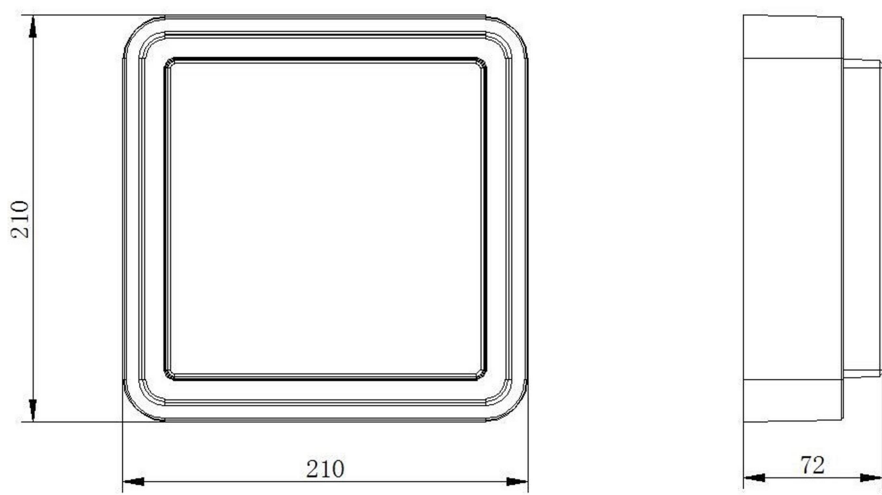
Application	SURFACE
IP Rating	IP65
Light source	LED 2835
Wattage	12W
Chip Brand	OSRAM
CCT Kelvin	3000 / 4000 / 5000K
Lumen	870
IF—VF	320 mA—27-40V
C.R.I	≥ 80
SDCM	≤ 5
IK	08
Beam Angle	117°
Input Voltage—Frequency	100-240V~ 50/60Hz
Electrical Classification	I
Lifespan	25000h. L70B50
Driver	Inside—Included
Power Factor:	0.9
Power Efficiency	83%
Measure mm	210 x 210 x 72 mm
Working humidity	10%~90%RH
Weight Kg.	1.3
Working humidity	-30°~+45°
Lighting distance	5 m
Certificates - Standard	CE - IEC 60598-1/IEC 62031
Warranty years	3
MATERIALES / ACABADOS	
Structure material	High quality aluminum
Diffuser Material	PC
Structure finishing	Anti - UV powder coating finish
Diffuser finishing	Opal White

IBERLAMP reserves the right to carry out the appropriate technical modifications in order to improve the performance of the product.
We recommend consulting with the sales team to clarify any doubts.

Photometric Results

CIE Class:	Direct
Total Rated Lamp Lumens:	870 lm
Measurement Flux:	870 lm
Efficiency:	48.2 %
Downward Ratio:	46.5%
Upward Ratio:	1.6%
Luminaire Efficiency Rating (LER):	72.5
Central Intensity:	243.2 cd
Max. Intensity:	243.2 cd
Pos. Of Max Intensity:	H1.0 V0.0
IES File Name	B-003081





IBERLAMP reserves the right to make the necessary technical modifications in order to improve the performance of the product.

We recommend consulting with the commercial team to answer any questions.