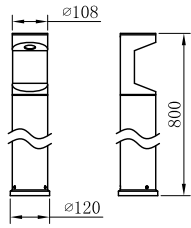


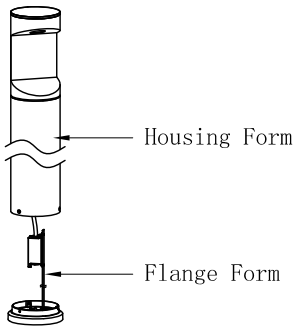
Mounting Instruction

Product Parameters

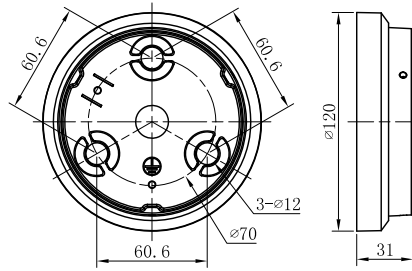


1. Model: 043231-80
2. Rated Voltage: AC 100-240V
3. Rated Power: LED 8W
4. IP Grade: IP65
5. Insulation protection level: Class I
6. Operating Temperature: -30~+45°C

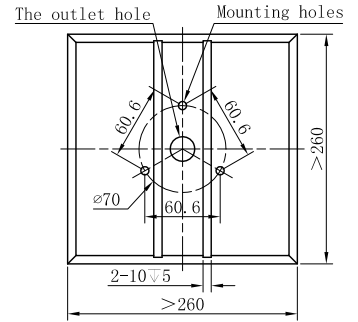
Components and Tools



Flange

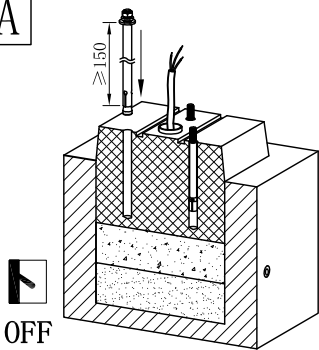


Mounting holes



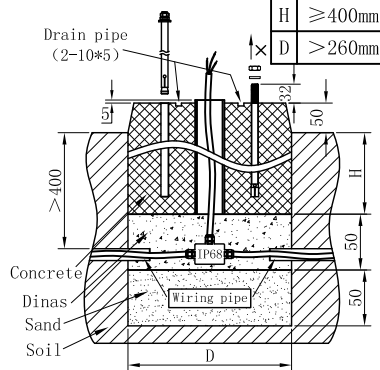
Installation Steps

A



OFF

- ▲ The depth of foundation pit shall be determined by digging to the original soil. In case of backfill, the recessed box can be embedded only after water injection and settlement.
- ▲ After the concrete settling for 72H (3 days), shall the lamp be mounted only when the concrete is completely solidified.

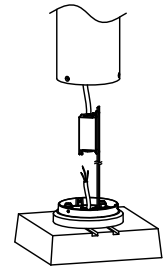
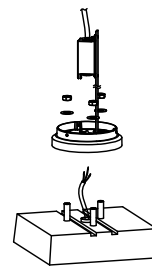


B

OFF

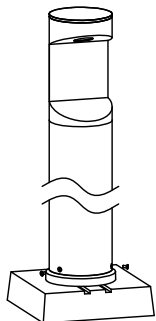
- ▲ Please be sure to fasten tightly of the flange.

C



- ▲ Wiring must be operated in accordance with construction specifications.

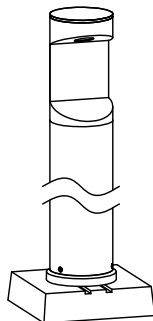
D



- ▲ Make sure the screws be fixed tightly.

E

ON



- ▲ Connect the power supply, and light up the lamp.

F

G

Notes:

1. Read this manual of instructions carefully before installation and keep it for future reference;
2. The lamps should be installed or repaired by professional electricians;
3. The light source of this lamp should be replaced by the manufacturer or its service agent or a similarly qualified person;
4. If the external flexible cord of this lamp is damaged, for the sake of avoiding hazard the cord should be replaced by the manufacturer or its service agent or a similarly qualified person;
5. Check the power switch has been turned off before install or repair the lamp.