



SERIE: COBRA

REF. C-013363

Descripción

Collection of LED outdoor wall lights, equipped with high performance light emitting diode. Body made of aluminum injection, diffuser in Tempered Glass. Protection against the penetration of solid and liquid particles. Allows its installation outdoors. Pre-wired luminaire

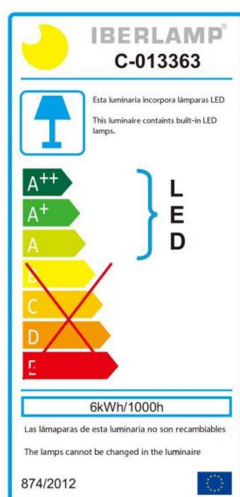


FINISHES AVAILABLE

DARK GREY

MATT BLACK

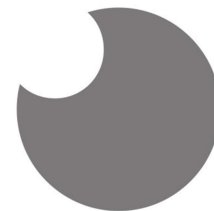
ENERGY EFFICIENCY



TECHNICAL DATA SHEET

Application	SURFACE
IP Rating	IP65
Light source	LED 3030
Wattage	6 W
Chip Brand	OSRAM
CCT Kelvin	3000 / 4000 / 5000K
Lumen	600
IF—VF	150 mA—27-42VDC
C.R.I	≥ 80
SDCM	≤ 5
IK	08
Beam Angle	15 °
Input Voltage—Frequency	100-240V~ 50/60Hz
Electrical Classification	I
Lifespan	25000h. L70B50
Driver	Inside—Included
Power Factor:	0.9
Power Efficiency	81%
Measure mm	Φ 115 x 385 mm.
Working humidity	10%~90%RH
Weight Kg.	0.7
Working humidity	-30°~+45°
Lighting distance	20 m
Certificates - Standard	CE - IEC 60598-1/IEC 62031
Warranty years	3
MATERIALES / ACABADOS	
Structure material	High quality aluminum
Diffuser Material	Glass
Structure finishing	Anti - UV powder coating finish
Diffuser finishing	Clear

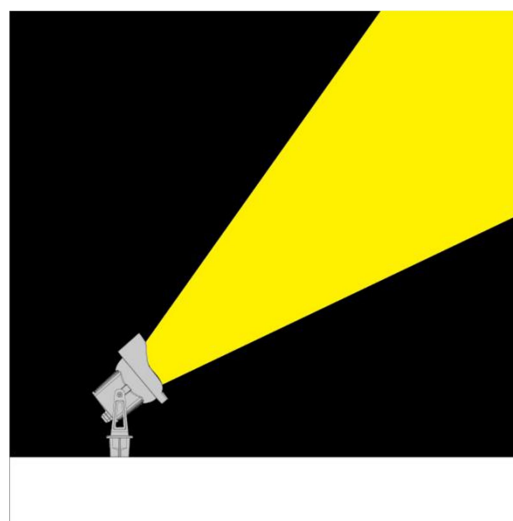
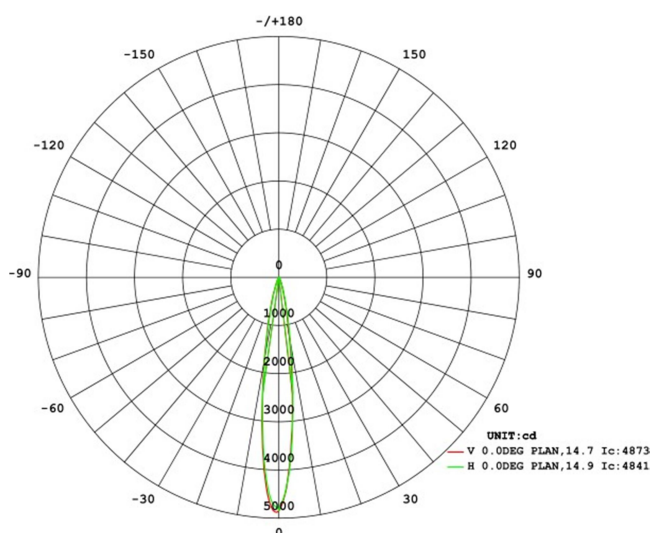
IBERLAMP reserves the right to carry out the appropriate technical modifications in order to improve the performance of the product.
We recommend consulting with the sales team to clarify any doubts.



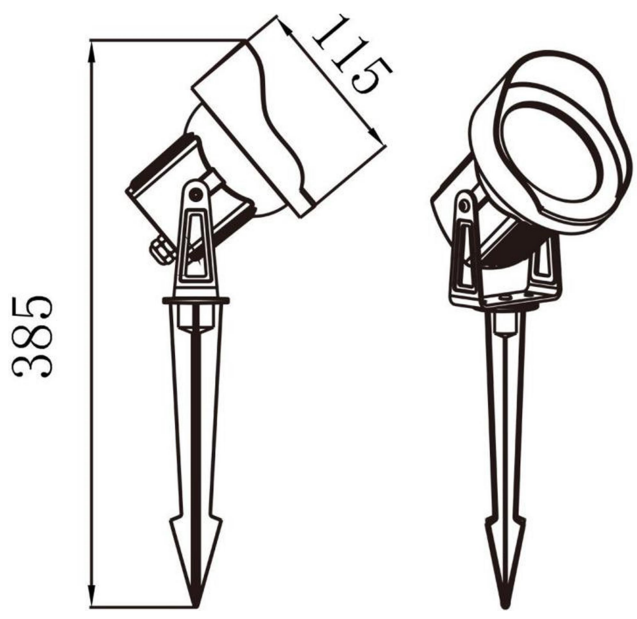
IBERLAMP

Photometric Results

CIE Class:	Direct
Total Rated Lamp Lumens:	600 lm.
Measurement Flux:	600 lm.
Efficiency:	77.6 %
Downward Ratio:	77.1%
Upward Ratio:	0.5%
Luminaire Efficiency Rating (LER):	100
Central Intensity:	4873 cd.
Max. Intensity:	4873 cd.
Pos. Of Max Intensity:	H0.5 V0.0
IES File Name	C-013363



The results shown correspond to the production standards. Any modification of these standards may alter the results displayed.



IBERLAMP reserves the right to make the necessary technical modifications in order to improve the performance of the product.

We recommend consulting with the commercial team to answer any questions.