



SERIE: MALTA

REF. Q-003862+B

Descripción

Collection of LED outdoor wall lights, equipped with high performance light emitting diode. Body made of aluminum injection, diffuser in PC Semi-opal. Protection against the penetration of solid and liquid particles. Allows its installation outdoors. Pre-wired luminaire

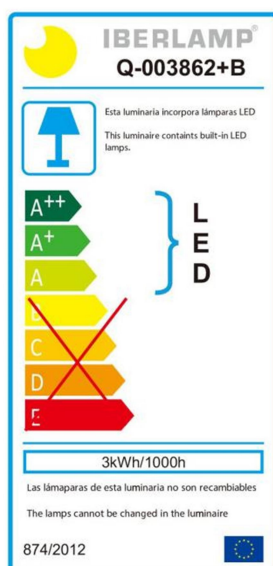


FINISHES AVAILABLE

DARK GREY

MATT BLACK

ENERGY EFFICIENCY



TECHNICAL DATA SHEET

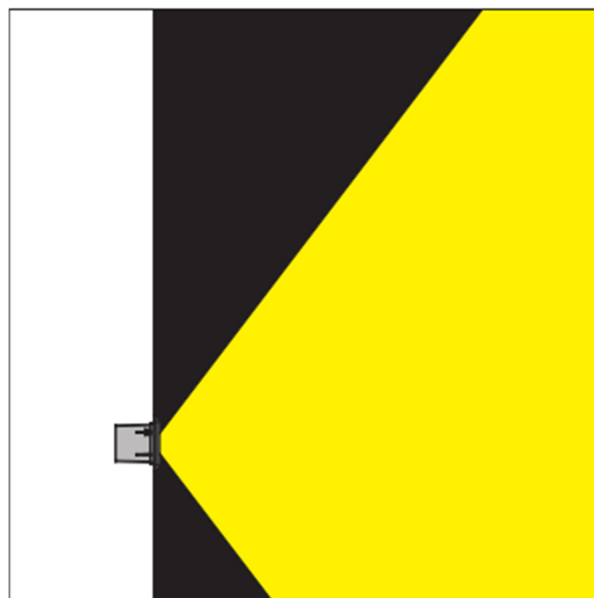
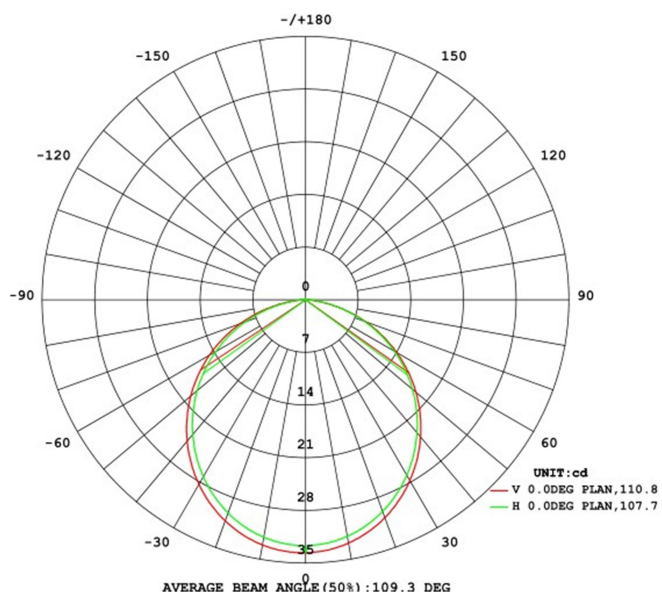
Application	SURFACE
IP Rating	IP65
Light source	LED 2835
Wattage	3 W
Chip Brand	OSRAM
CCT Kelvin	3000 / 4000 / 5000K
Lumen	220
IF—VF	320 mA—8-12V
C.R.I	≥ 80
SDCM	≤ 5
IK	08
Beam Angle	111 °
Input Voltage—Frequency	100-240V~ 50/60Hz
Electrical Classification	I
Lifespan	25000h. L70B50
Driver	Inside—Included
Power Factor:	0.9
Power Efficiency	74%
Measure mm	170 x 84 x 66 mm.
Working humidity	10%~90%RH
Weight Kg.	0.6
Working humidity	-30°~+45°
Lighting distance	2 m
Certificates - Standard	CE - IEC 60598-1/IEC 62031
Warranty years	3
MATERIALES / ACABADOS	
Structure material	High quality aluminum
Diffuser Material	PC
Structure finishing	Anti - UV powder coating finish
Diffuser finishing	Semi-Opal

IBERLAMP reserves the right to carry out the appropriate technical modifications in order to improve the performance of the product.
We recommend consulting with the sales team to clarify any doubts.

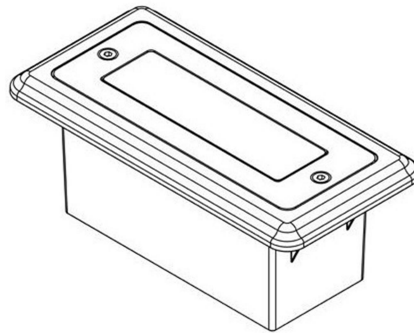
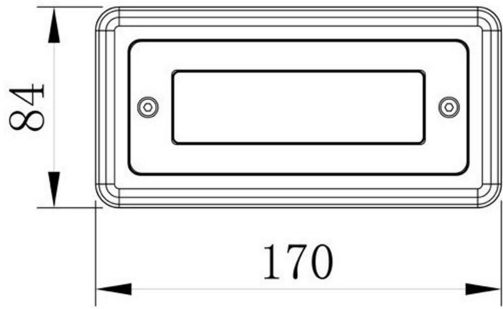
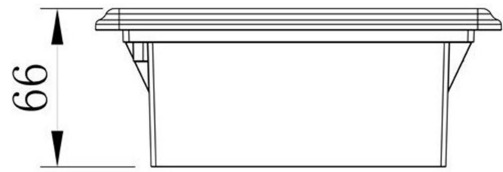


Photometric Results

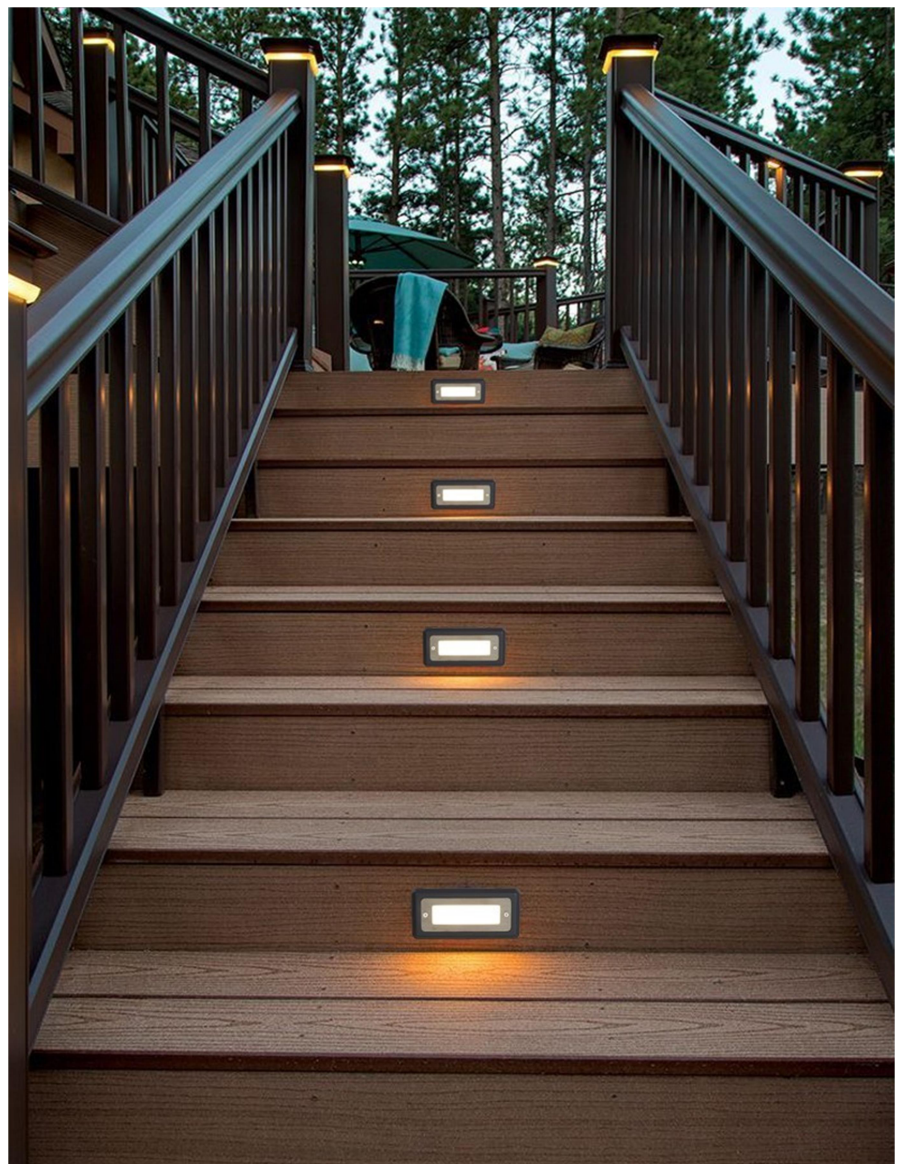
CIE Class:	Direct
Total Rated Lamp Lumens:	150 lm.
Measurement Flux:	150 lm.
Efficiency:	26.2 %
Downward Ratio:	26.0%
Upward Ratio:	0.1%
Luminaire Efficiency Rating (LER):	50
Central Intensity:	33.63 cd.
Max. Intensity:	33.63 cd.
Pos. Of Max Intensity:	H1.0 V0.0
IES File Name	Q-003862+B



The results shown correspond to the production standards. Any modification of these standards may alter the results displayed.



IBERLAMP



IBERLAMP reserves the right to make the necessary technical modifications in order to improve the performance of the product.

We recommend consulting with the commercial team to answer any questions.