

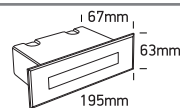
INSTALLATION MANUAL

68072B

ecolight

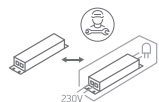


80 CRI



230V | SMD 2835 | 7W | IP65 | Stainless steel 316

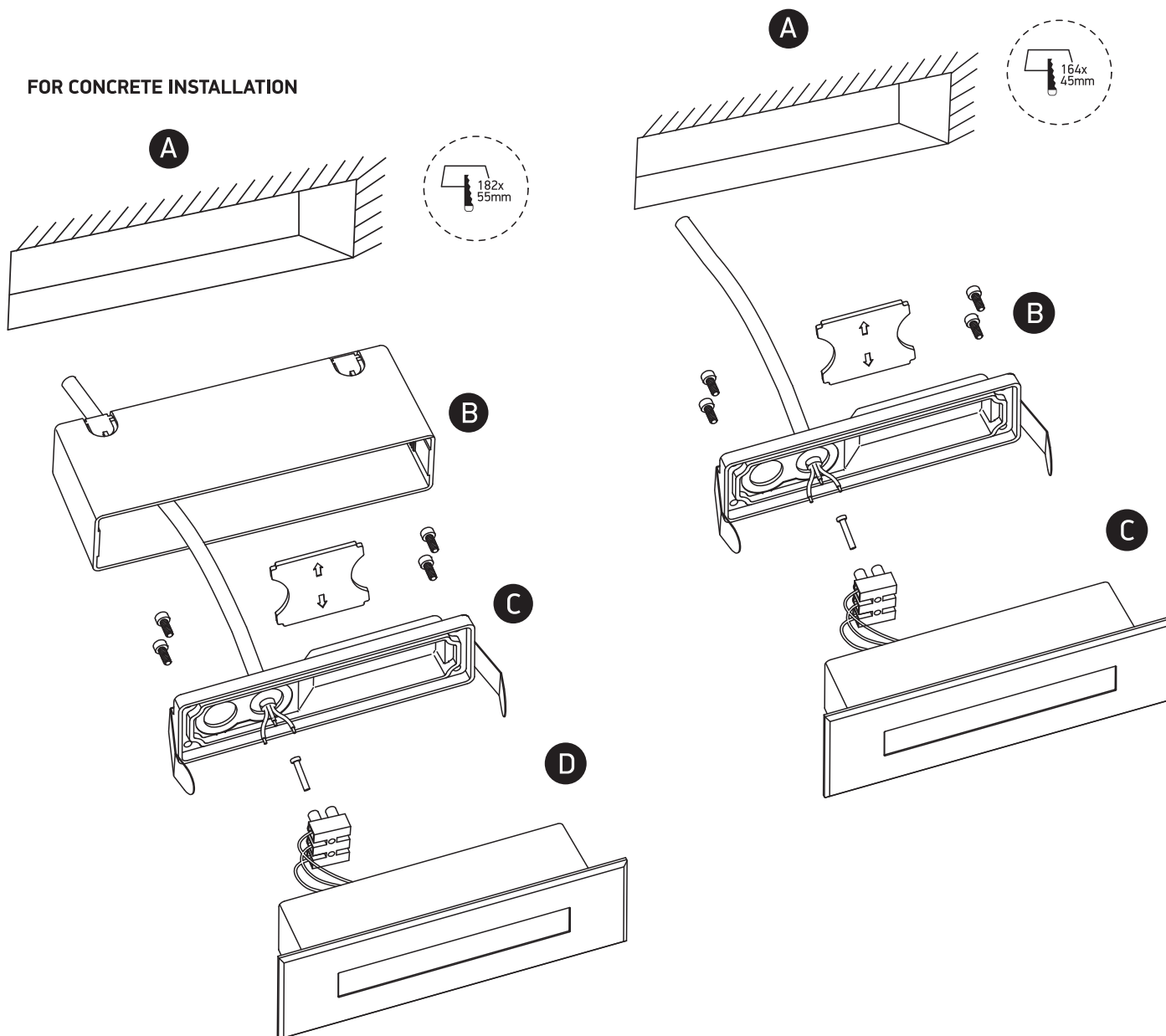
Complete with 350mA driver.
Supplied with box for concrete
installation.



one
LIGHT

FOR GYPSUM INSTALLATION

FOR CONCRETE INSTALLATION



Warnings:

1. Make sure that the product is installed properly before connecting to electricity.
2. Do not cover the fitting.
3. Maintenance and installation should only be carried out by a professional electrician.