

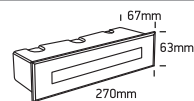
INSTALLATION MANUAL

68072C

ecolight



80
CRI



230V | SMD 2835 | 10W | IP65 | Stainless steel 316

Complete with driver.
Supplied with box for concrete
installation.



Concrete
Installation



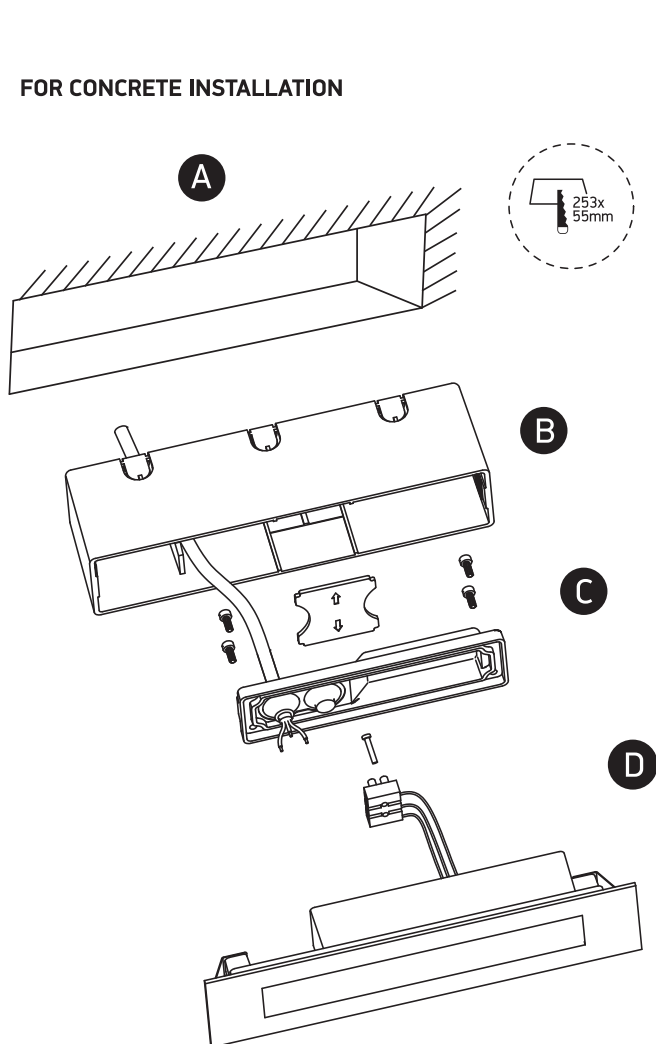
Gypsum
Installation



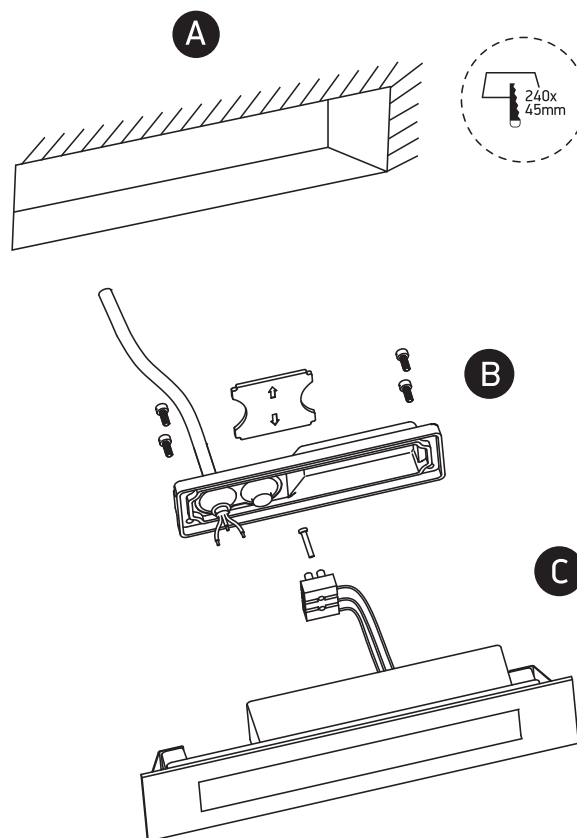
75mm

one
LIGHT

FOR CONCRETE INSTALLATION



FOR GYPSUM INSTALLATION



Warnings:

1. Make sure that the product is installed properly before connecting to electricity.
2. Do not cover the fitting.
3. Maintenance and installation should only be carried out by a professional electrician.