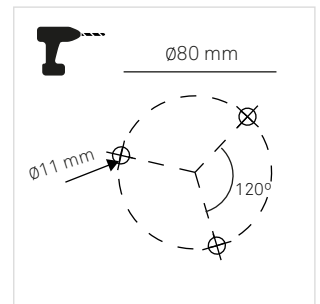
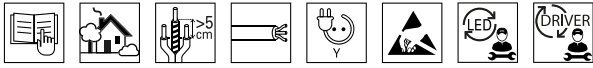




LYON

BOLLARD



1. Turn the light switch to the OFF position.
2. Insert the bollard into the base. The base has a diameter of 80 mm and mounting holes with a diameter of 11 mm. The bollard has a minimum diameter of 7 mm and a maximum diameter of 12 mm.
3. Use a level to ensure the base is horizontal.
4. Tighten the base to the ground.
5. Connect the power supply to the base. The power supply has terminals for L (Live), N (Neutral), and a ground symbol.
6. The bollard is now installed and ready for use.
7. Turn the light switch to the ON position.

