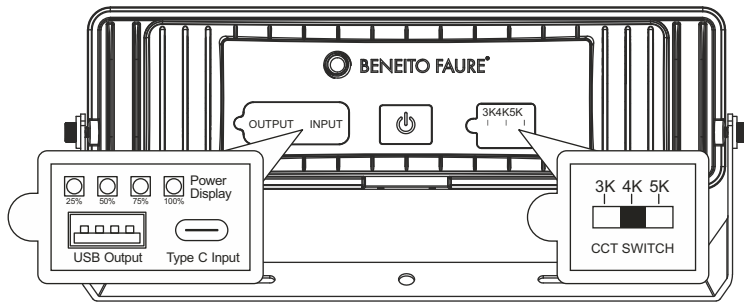


# Wech 10W

## outdoor lighting

5004 / 5005



### Battery Information

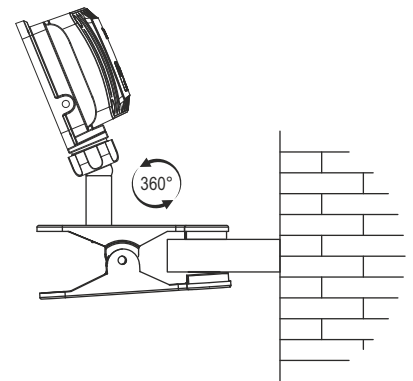


- Battery capacity 7.4V 4400mAh.
- Charging current 5V 1A (max).
- Charging time: 10 hour.
- Lighting power 8.4V 0.7A (MAX)  
6.3V 0.4A(MIN)
- Battery voltage at constant current point >7.0V,  
constant current 0.7A.
- USB power supply 5V/1A (MAX).
- Battery work time: 6 hours.

## User Manual

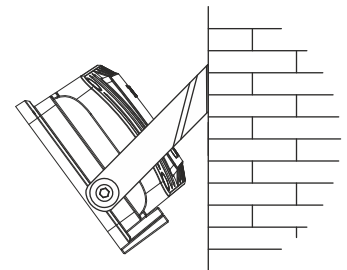
### Important User Advice

- Always switch off mains supply before fitting.
- Replace any broken or damaged glass as soon as possible.
- Ensure all seals are intact and operational after fitting or maintenance.
- Do not touch the lamp in use or just after use as there is a risk of being burnt, Take off from flammable materials.
- Do not wash the light.
- Keeping your eyes with a security distance, the light could cause damage.



### Installation

- Find a suitable location to install this product.
- Use the mounting bracket to mark the hole centres for fixing. Drill holes suitable to accept wall plugs. Insert wall plugs.
- Ensure mounting bracket, terminate wiring. Pay particular attention to any markings for replace all covers.
- Fit the flood light to the mounting bracket with the screws.
- Check seals, gaskets and cable gland operation before testing the luminaire.
- Turn on power supply and test luminaire.



### Maintenance

- This product has no user serviceable parts.
- Clean with a damp cloth and dry with a lint-free cloth or kitchen towel.

### Important Information

- It is recommended that luminaire installed and fitted by a qualified electrician ensuring the installation complies to the current building regulations.
- And broken or damaged parts should be replaced as soon as possible.
- LEL will not accept responsibility for any claims arising from a poor installation.

