

## PERFIL ALUMINIO P/ TIRA LED ANGULAR

**A<sup>+</sup>**

**2M**  
LONGITUD

**120°**

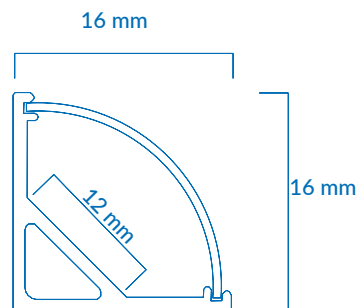
**Difusor**  
Opal

**Difusión**  
De calor



### ref.ACLED-023

PERFIL ALUMINIO  
P/ TIRA LED  
ANGULAR  
DIFUSOR OPAL  
120°  
IP44  
2000X16X16MM



**2**  
AÑOS  
GARANTÍA

**CE**

**RoHS**  
2002/95/EC



ATMOSS ELECTRIC EQUIPMENT S.L.  
c/ Mecánicos, 5, Pol. Ind. 2  
03130, Santa Pola (Alicante)  
ESPAÑA



## DECLARACIÓN CE DE CONFORMIDAD

Referencia del producto: ACLED-021, ACLED-052, ACLED-022, ACLED-091, ACLED-045, ACLED-023, ACLED-153, ACLED-097, ACLED-136, ACLED-137, ACLED-138, ACLED-139, ACLED-135, ACLED-140, ACLED-038, ACLED-039, ACLED-040, ACLED-095, ACLED-096, ACLED-041, ACLED-042, ACLED-043, ACLED-053

ATMOSS ELECTRIC EQUIPMENT S.L. declara que el producto mencionado ha sido fabricado de acuerdo con las directivas europeas que se citan a través del cumplimiento de las siguientes normas:

Nº	Directiva
2006/95/EC	Equipo eléctrico para ser utilizado dentro de unos valores de tensión limitados. Directiva de baja tensión.

Normas: UNE-EN 62560: 2012; UNE-EN 62612: 2013; UNE-EN 62471: 2008

Nº	Directiva
2004/108/EC	Compatibilidad Electromagnética. Directiva EMC.

Normas: EN 60598-1:2015+ AC: 2015 +AC:2016 Luminarias. Parte 1: Requisitos generales y ensayos.  
EN 60598-2-2:2012  
Luminarias. Parte 2-2: Requisitos particulares. Luminarias empotradas.

Marcelo Ferri Sanchis  
Gerente

21 de Agosto de 2020



# CERTIFICATE

of Conformity

Reference No.: AT05142496S

**Applicant** : ATMOSS ELECTRIC EQUIPMENT S.L.

**Address** : CALLE MECANICOS 5, 03130, SANTA POLA (ALICANTE)

**Product** : RECESSED LUMINAIRES

**Model(s)** : ACLED-021, ACLED-052, ACLED-022, ACLED-091, ACLED-045, ACLED-023, ACLED-153, ACLED-097, ACLED-136, ACLED-137, ACLED-138, ACLED-139, ACLED-135, ACLED-140, ACLED-038, ACLED-039, ACLED-040, ACLED-095, ACLED-096, ACLED-041, ACLED-042, ACLED-043, ACLED-053

**Trade mark** : N/A

The submitted products have been tested by us with the listed standards and found in compliance with the following European Directives:

**The EMC Directive 2004/104/EC**

**EN 60598-1:2015+ AC: 2015 +AC:2016**  
**EN 60598-2-2:2012**

The tests were performed in normal operation mode. The test results apply only to the particular sample tested and to the specific tests carried out.

This certificate applies specifically to the sample investigated in our test reference number only.

The CE markings as shown below can be affixed on the product after preparation of necessary technical documentation.

Other relevant Directives have to be observed.



Shenzhen LCS Compliance Testing Laboratory Ltd.  
 1/F., Xingyuan Industrial Park, Tongda Road, Bao'an Avenue, Bao'an District,  
 Shenzhen, Guangdong, China  
 Tel: (86)755-82591330 Fax: (86)755-82591332  
 Http://www.LCS-cert.com Email: webmaster@LCS-cert.com