

# ACCESORIOS

SERIES

## PERFIL ALUMINIO P/ TIRA LED EMPOTRAR ALTO

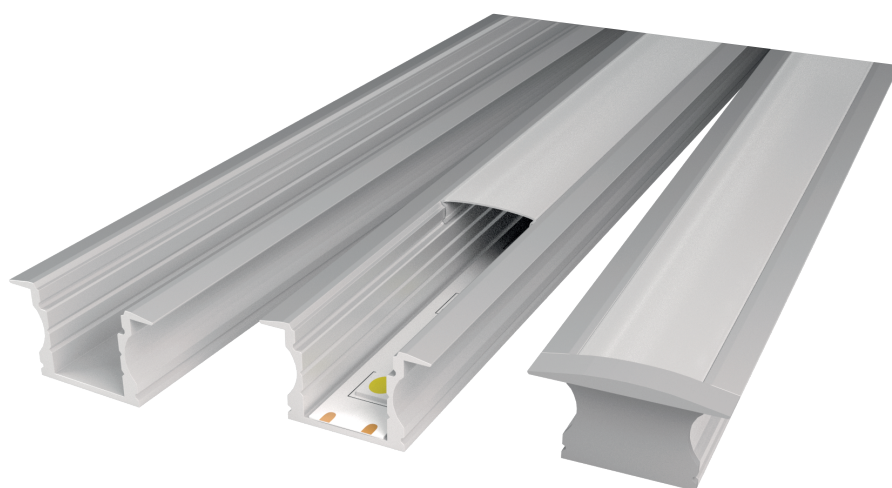
A<sup>+</sup>

2M  
LONGITUD

120°

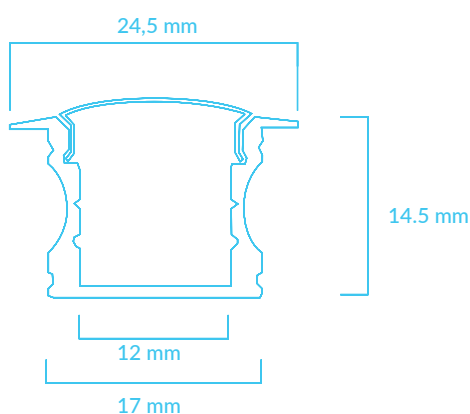
Difusor  
Opal

Difusión  
De calor



ref.ACLED-052

PERFIL ALUMINIO  
P/ TIRA LED  
EMPOTRABLE  
DIFUSOR OPAL  
120°  
IP44  
2000X17.3X14.5MM



2  
AÑOS  
GARANTÍA

CE

RoHS  
2002/95/EC





## DECLARACIÓN CE DE CONFORMIDAD

Referencia del producto: ACLED-021, ACLED-052, ACLED-022, ACLED-091, ACLED-045, ACLED-023, ACLED-097, ACLED-136, ACLED-137, ACLED-138, ACLED-139, ACLED-135, ACLED-140, ACLED-038, ACLED-039, ACLED-040, ACLED-095, ACLED-096, ACLED-041, ACLED-042, ACLED-043, ACLED-053  
ATMOSS ELECTRIC EQUIPMENT S.L. declara que el producto mencionado ha sido fabricado de acuerdo con las directivas europeas que se citan a través del cumplimiento de las siguientes normas.:

Nº	Directiva
2006/95/EC	Equipo eléctrico para ser utilizado dentro de unos valores de tensión limitados. Directiva de baja tensión

Normas: UNE-EN 62560: 2012; UNE-EN 62612: 2013; UNE-EN 62471: 2008

Nº	Directiva
2004/108/EC	Compatibilidad Electromagnética. Directiva EMC

### NORMAS:

EN 60598-1:2015+ AC: 2015 +AC:2016 Luminarias. Parte 1: Requisitos generales y ensayos.

EN 60598-2-2:2012 Luminarias. Parte 2-2: Requisitos particulares. Luminarias empotradas.

Marcelo Ferri Sanchis  
Gerente

11 de Febrero de 2020



**CERTIFICATE**

**of Conformity**

Reference No.: AT05142496S

**Applicant** : ATMOSS ELECTRIC EQUIPMENT S.L.

**Address** : CALLE MECANICOS 5, 03130, SANTA POLA (ALICANTE)

**Product** : RECESSED LUMINAIRES

**Model(s)** : ACLED-021, ACLED-052, ACLED-022, ACLED-091, ACLED-045, ACLED-023,  
ACLED-097, ACLED-136, ACLED-137, ACLED-138, ACLED-139, ACLED-135,  
ACLED-140  
ACLED-038, ACLED-039, ACLED-040, ACLED-095, ACLED-096, ACLED-041,  
ACLED-042, ACLED-043, ACLED-053

**Trade mark** : N/A

The submitted products have been tested by us with the listed standards and found in compliance with the following European Directives:

**The EMC Directive 2004/104/EC**

**EN 60598-1:2015+ AC: 2015 +AC:2016**  
**EN 60598-2-2:2012**

The tests were performed in normal operation mode. The test results apply only to the particular sample tested and to the specific tests carried out.

This certificate applies specifically to the sample investigated in our test reference number only.

The CE markings as shown below can be affixed on the product after preparation of necessary technical documentation.

Other relevant Directives have to be observed.



August 21, 2020

Shenzhen LCS Compliance Testing Laboratory Ltd.  
1/F., Xingyuan Industrial Park, Tongda Road, Bao'an Avenue, Bao'an District,  
Shenzhen, Guangdong, China  
Tel: (86)755-82591330 Fax: (86)755-82591332  
Http://www.LCS-cert.com Email: webmaster@LCS-cert.com