

Used

CREE
LED Chips



MÓDULO DICROICA 15W 60°

A⁺



ref.DIC-078

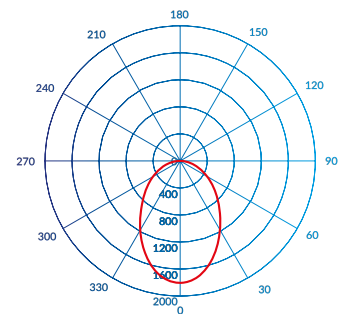
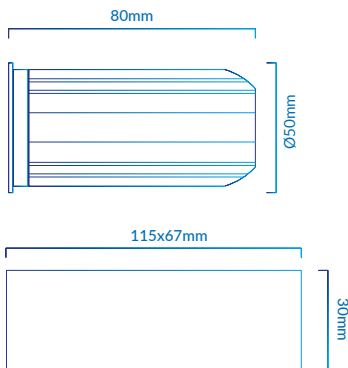
15W
3200K
1500 lm
1781 cd
60°
GU10
FP>0.9
AC 220-240V
50/60 Hz
COB
SMD

ref.DIC-079

15W
4200K
1500 lm
1781 cd
60°
GU10
FP>0.9
AC 220-240V
50/60 Hz
COB
SMD

ref.DIC-080

15W
5000K
1500 lm
1781 cd
60°
GU10
FP>0.9
AC 220-240V
50/60 Hz
COB
SMD



ATMOSS ELECTRIC EQUIPMENT S.L.
c/ Mecánicos, 5, Pol. Ind. 2
03130, Santa Pola (Alicante)
ESPAÑA



DECLARACIÓN CE DE CONFORMIDAD

Referencia del producto: DIC-068, DIC-069, DIC-070, DIC-061, DIC-062, DIC-063, DIC-083, DIC-071, DIC-072, DIC-073, DIC-074, DIC-075, DIC-076, DIC-081, DIC-064, DIC-082, DIC-086, DIC-087, DIC-088, DIC-089, DIC-066, DIC-077, DIC-067, DIC-084, DIC-065, DIC-085, DIC-090, DIC-078, DIC-079, DIC-080

ATMOSS ELECTRIC EQUIPMENT S.L. declara que el producto mencionado ha sido fabricado de acuerdo con las directivas europeas que se citan a través del cumplimiento de las siguientes normas.:

Nº	Directiva
2006/95/EC	Equipo eléctrico para ser utilizado dentro de unos valores de tensión limitados. Directiva de baja tensión.

Normas: UNE-EN 62560: 2012; UNE-EN 62612: 2013; UNE-EN 62471: 2008

Nº	Directiva
2004/108/EC	Compatibilidad Electromagnética. Directiva EMC.

Normas: UNE-EN 55015: 2013; UNE-EN 6100-3-2: 2006 + A1: 2009 + A2: 2009; UNE-EN 6100-3-3: 2013; UNE-EN 61547: 2009

Marcelo Ferri Sanchis
Gerente

21 de Agosto de 2020



**CERTIFICATE
of Conformity**

Reference No.: AT05265506S

Applicant : ATMOS ELECTRIC EQUIPMENT S.L.
Address : CALLE MECANICOS 5, 03130, SANTA POLA (ALICANTE)
Product : LED SPOTLIGHTS
Model(s) : DIC-068, DIC-069, DIC-070, DIC-061, DIC-062, DIC-063, DIC-083,
DIC-071, DIC-072, DIC-073, DIC-074, DIC-075, DIC-076, DIC-081,
DIC-064, DIC-082, DIC-086, DIC-087, DIC-088, DIC-089, DIC-066,
DIC-077, DIC-067, DIC-084, DIC-065, DIC-085, DIC-090, DIC-078,
DIC-079, DIC-080
Trade mark : N/A

The submitted products have been tested by us with the listed standards and found in compliance with the following European Directives:

The EMC Directive 2004/104/EC

EN 55015: 2013
EN 61000-3-3: 2013

EN 61000-3-2: 2006+A1: 2009+A2: 2009
EN 61547: 2009;T

The tests were performed in normal operation mode. The test results apply only to the particular sample tested and to the specific tests carried out.

This certificate applies specifically to the sample investigated in our test reference number only.

The CE markings as shown below can be affixed on the product after preparation of necessary technical documentation.

Other relevant Directives have to be observed.




 Manager
 August 21, 2020

Shenzhen LCS Compliance Testing Laboratory Ltd.
 1/F., Xingyuan Industrial Park, Tongda Road, Bao'an Avenue, Bao'an District,
 Shenzhen, Guangdong, China
 Tel: (86)755-82591330
 Http://www.LCS-cert.com
 Fax: (86)755-82591332
 Email: webmaster@LCS-cert.com