

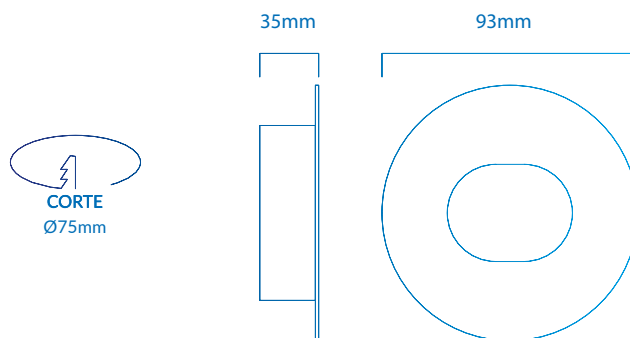


ARO P/ DICROICA



ref.ARO-016

ARO P/DICROICA
C093 CUADRADO
EMPOTRABLE
ORIENTABLE
BLANCO
CORTE Ø75MM



ATMOSS ELECTRIC EQUIPMENT S.L.
c/ Mecánicos, 5, Pol. Ind. 2
03130, Santa Pola (Alicante)
ESPAÑA



DECLARACIÓN CE DE CONFORMIDAD

Referencia del producto: ARO-017, ARO-020, ARO-018, ARO-021, ARO-019, ARO-022, ARO-023, ARO-024, ARO-025, ARO-013, ARO-014, ARO-015, ARO-016, ARO-044, ARO-045, ARO-046, ARO-047, ARO-048, ARO-049, ARO-012, ARO-026, ARO-027, ARO-028, ARO-035, ARO-036, ARO-037, ARO-029, ARO-030, ARO-031, ARO-032, ARO-033, ARO-034, ARO-007, ARO-008, ARO-010, ARO-011, ARO-038, ARO-039, ARO-040, ARO-041, ARO-051, ARO-052, ARO-053, ARO-054, ARO-055, ARO-056, ARO-057, ARO-058, ARO-059, ARO-060, ARO-061

ATMOSS ELECTRIC EQUIPMENT S.L. declara que el producto mencionado ha sido fabricado de acuerdo con las directivas europeas que se citan a través del cumplimiento de las siguientes normas.:

Nº	Directiva
2006/95/EC	Equipo eléctrico para ser utilizado dentro de unos valores de tensión limitados. Directiva de baja tensión.

Normas: UNE-EN 62560: 2012; UNE-EN 62612: 2013; UNE-EN 62471: 2008

Nº	Directiva
2004/108/EC	Compatibilidad Electromagnética. Directiva EMC.

Normas: EN 60598-1:2015+ AC: 2015 +AC:2016 Luminarias. Parte 1: Requisitos generales y ensayos.
EN 60598-2-2:2012
Luminarias. Parte 2-2: Requisitos particulares. Luminarias empotradas.

Marcelo Ferri Sanchis
Gerente

23 de Abril de 2021



**CERTIFICATE
of Conformity**

Reference No.: AT05142496S

Applicant : **ATMOSS ELECTRIC EQUIPMENT S.L.**

Address : **CALLE MECANICOS 5, 03130, SANTA POLA (ALICANTE)**

Product : **RECESSED LUMINAIRES**

Model(s) : **ARO-017, ARO-020, ARO-018, ARO-021, ARO-019, ARO-022, ARO-023, ARO-024, ARO-025, ARO-013, ARO-014, ARO-015, ARO-016, ARO-044, ARO-045, ARO-046, ARO-047, ARO-048, ARO-049, ARO-012, ARO-026, ARO-027, ARO-028, ARO-035, ARO-036, ARO-037, ARO-029, ARO-030, ARO-031, ARO-032, ARO-033, ARO-034, ARO-007, ARO-008, ARO-010, ARO-011, ARO-038, ARO-039, ARO-040, ARO-041, ARO-051, ARO-052, ARO-053, ARO-054, ARO-055, ARO-056, ARO-057, ARO-058, ARO-059, ARO-060, ARO-061**

Trade mark : **N/A**

The submitted products have been tested by us with the listed standards and found in compliance with the following European Directives:

The EMC Directive 2004/104/EC

EN 60598-1:2015+ AC: 2015 +AC:2016
EN 60598-2-2:2012

The tests were performed in normal operation mode. The test results apply only to the particular sample tested and to the specific tests carried out.

This certificate applies specifically to the sample investigated in our test reference number only.

The CE markings as shown below can be affixed on the product after preparation of necessary technical documentation.

Other relevant Directives have to be observed.



April 23, 2021

Shenzhen LCS Compliance Testing Laboratory Ltd.
1/F., Xingyuan Industrial Park, Tongda Road, Bao'an Avenue, Bao'an District,
Shenzhen, Guangdong, China
Tel: (86)755-82591330 Fax: (86)755-82591332
Http://www.LCS-cert.com Email: webmaster@LCS-cert.com