

**Taglio Di Luce Direct
19 mm Trimless****71-5741-14-00**

Sistema Lineal Taglio Di Luce Direct 19 mm Trimless Blanco

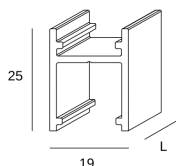
**CARACTERÍSTICAS TÉCNICAS**

Material de la estructura : Aluminio

Garantía : 5 Años

Acabado estructura : Blanco

Luminaria fácilmente reciclable



19xL



0-15

CARACTERÍSTICAS LUMINOTÉCNICAS

Portalámparas	Cantidad	Potencia fuente de luz (W)
-	1	-

LOGÍSTICA

Peso neto (Kg): 0.31

Peso embalado (Kg): 0.59

Embalaje: 50mm x 54mm x 1020mm



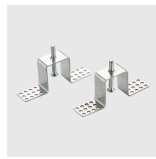
1 Un



71-5766-14-00

Tapa 19mm sin marco

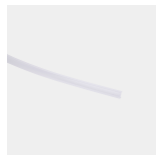
Material de la estructura: Aluminio
 Medidas: NA x NA x NA
 Peso neto (Kg): 0.01



71-5786-00-00

Kit para empotrar 1000mm sin marco

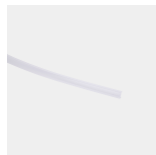
Material de la estructura: Acero
 Medidas: 47 x 10000 x 8
 Peso neto (Kg): 0.03



71-5771-00-00

Difusor 1000mm

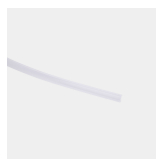
Material de la estructura:
 Medidas: 14 x 1000 x 5
 Peso neto (Kg): 0.03



71-5772-00-00

Difusor 2000mm

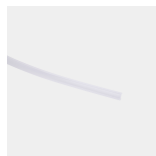
Material de la estructura:
 Medidas: 14 x 2000 x 5
 Peso neto (Kg): 0.06



71-5773-00-00

Difusor 3000mm

Material de la estructura:
 Medidas: 14 x 3000 x 5
 Peso neto (Kg): 0.08



71-5774-00-00

Difusor 10000mm

Material de la estructura:
 Medidas: 14 x 10000 x 5
 Peso neto (Kg): 0.28



71-5782-00-00

Kit unión perfil

Material de la estructura: Acero
 Medidas: NA x NA x NA
 Peso neto (Kg): 0.02



71-5783-00-00

Kit unión vertical L

Material de la estructura: Acero
 Medidas: NA x NA x NA
 Peso neto (Kg): 0.02



71-5784-00-00

Kit unión T

Material de la estructura: Acero
 Medidas: NA x NA x NA
 Peso neto (Kg): 0.03



71-5785-00-00

Kit unión X

Material de la estructura: Acero

Medidas: NA x NA x NA

Peso neto (Kg): 0.04



71-5757-00-00

Kit unión L

Material de la estructura: Acero

Medidas: NA x NA x NA

Peso neto (Kg): 0.01



71-5758-00-00

Kit unión L

Material de la estructura: Acero

Medidas: NA x NA x NA

Peso neto (Kg): 0.01

Luminaire

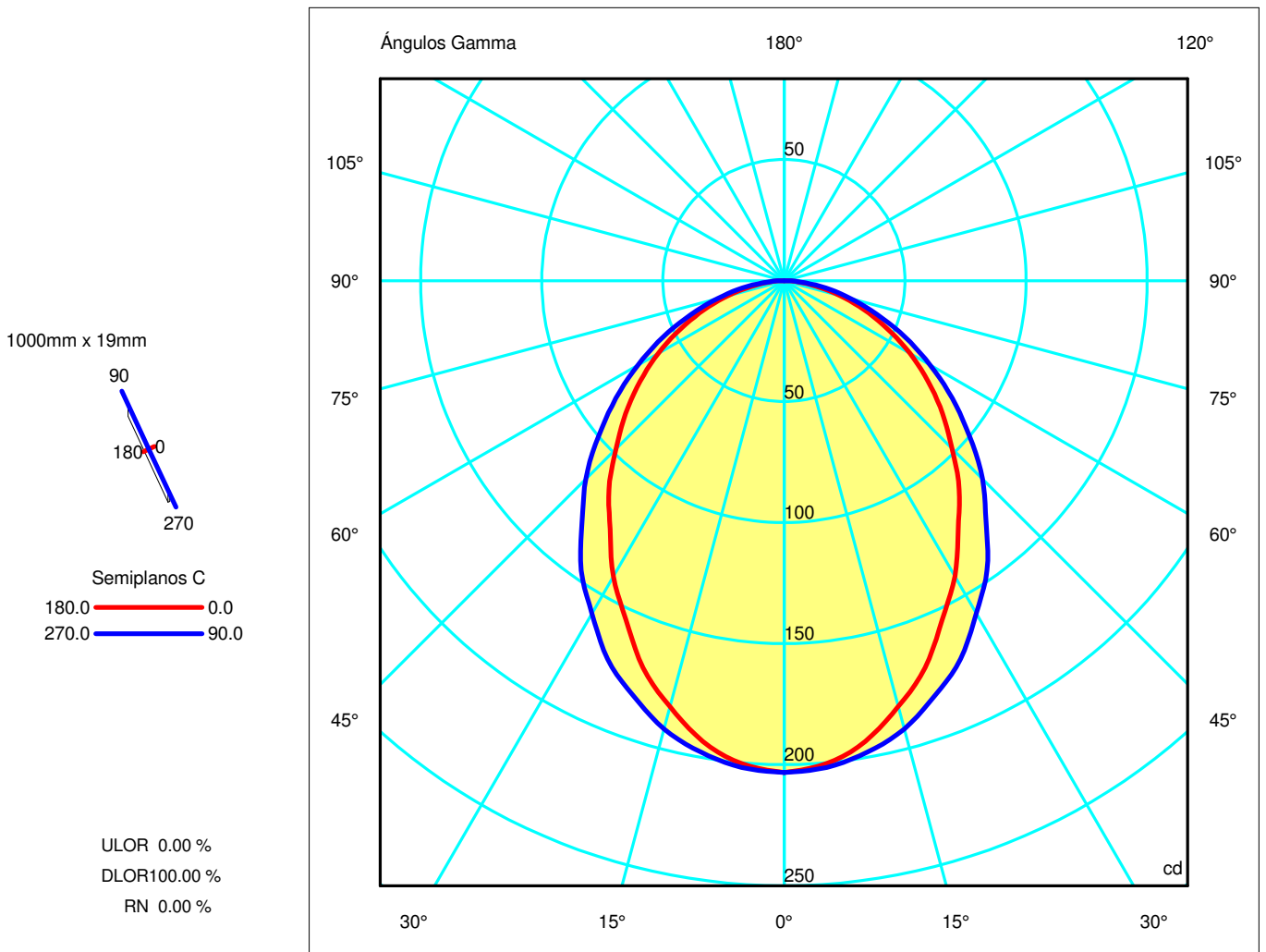
Code 71-5741+5771+2631
 Name PERFIL LED + DIFUSOR 1M 24V

Measur.

Code CL116A17F161G
 Name PERFIL LED + DIFUSOR 1M 24V

Luminaire Flux	468.36 lm	Luminaire Power	9.60 W	Efficacy	48.79 lm/W	Efficiency	100.00%
Lamps Flux	468.36 lm	Maximum value	203.16 cd	Position	C=0.00 G=0.00	CG	Double Symmetrical
Rectangular Luminaire		Length	1000 mm	Width	19 mm	Height	25 mm
Rectangular Luminous Area		Length	1000 mm	Width	15 mm	Height	0 mm
Horizontal Luminous Area	0.015000 m2			Emitting area on Plane 180°	0.000000 m2		
Emitting area on Plane 0°	0.000000 m2			Emitting area on Plane 270°	0.000000 m2		
Emitting area on Plane 90°	0.000000 m2			Glare area at 76°	0.003629 m2		
Coordinate system	CG			Symmetry Type	Double Symmetrical		
Date	23-03-2017			Maximum Gamma Angle	90		
Measurement Distance	6.44			Measurement Flux	468.36 lm		
Operator	Asselum T2			Source Voltage [V]	24.00 V		
Temperature	25.00 °C			Source current [A]	0.40 A		
Humidity	41.00 %			Photocell	Prc		
Notes	CG						

Line		Code	Luminaire Lamps		Flux [lm]	Pow. [W]	Q.ty
		71-5741+5771+2631	Name	PERFIL LED + DIFUSOR 1M 24V	468.36	9.60	1
C.I.E.	52 82 96 100 100		D DIN 5040		A40		
F UTE	1.00 D		B NBN		BZ 4		



Luminaire

Code 71-5741+5771+2631
 Name PERFIL LED + DIFUSOR 1M 24V

Measur.

Code CL116A17F161G
 Name PERFIL LED + DIFUSOR 1M 24V

Luminaire Flux	468.36 lm	Luminaire Power	9.60 W	Efficacy	48.79 lm/W	Efficiency	100.00%
Lamps Flux	468.36 lm	Maximum value	203.16 cd	Position	C=0.00 G=0.00	CG	Double Symmetrical

Luminous Intensity Table cd Table 1/1

	C 0.00	C 15.00	C 30.00	C 45.00	C 60.00	C 75.00	C 90.00
G 0.0	203.16	203.16	203.16	203.16	203.16	203.16	203.16
G 5.0	200.27	200.93	201.23	201.31	201.52	201.75	201.81
G 10.0	193.24	193.60	194.44	195.58	196.55	197.84	197.78
G 15.0	182.18	183.48	185.00	186.85	188.91	190.65	191.69
G 20.0	170.21	169.87	172.07	175.09	178.56	181.95	182.33
G 25.0	154.53	156.11	158.52	162.41	166.29	170.78	172.45
G 30.0	141.02	141.34	143.69	147.96	153.18	157.66	158.68
G 35.0	125.28	126.73	129.69	133.56	138.93	143.52	146.10
G 40.0	112.52	112.56	114.88	118.84	123.99	128.66	129.75
G 45.0	98.06	98.99	101.47	104.90	109.31	113.29	115.80
G 50.0	85.41	85.84	87.09	90.56	94.64	98.61	99.97
G 55.0	72.56	73.22	74.53	77.02	80.22	82.86	84.78
G 60.0	59.98	60.21	61.29	63.64	66.07	68.75	69.67
G 65.0	47.04	47.66	48.85	50.63	52.45	54.94	55.10
G 70.0	35.17	35.46	36.79	37.78	39.38	40.95	40.93
G 75.0	23.80	24.26	24.67	25.81	27.14	28.62	28.18
G 80.0	13.61	14.18	14.60	15.42	15.96	16.91	17.46
G 85.0	5.76	5.51	5.74	6.19	6.51	7.45	7.28
G 90.0	0.55	0.56	0.57	0.60	0.61	0.72	0.82

Luminaire

Code 71-5741+5771+2631
 Name PERFIL LED + DIFUSOR 1M 24V

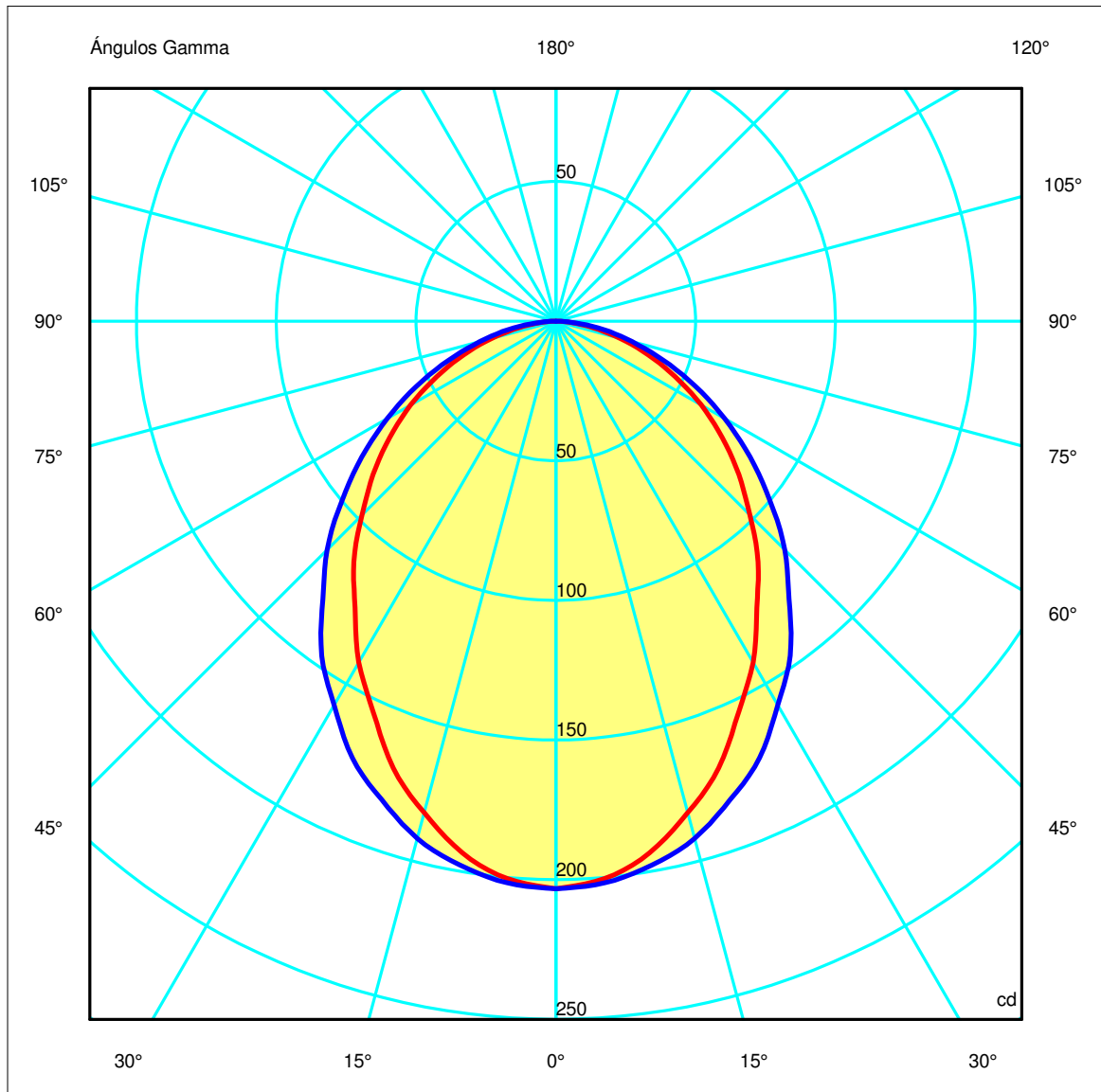
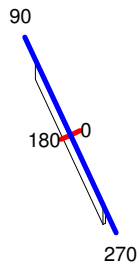
Measur.

Code CL116A17F161G
 Name PERFIL LED + DIFUSOR 1M 24V

Luminaire Flux	468.36 lm	Luminaire Power	9.60 W	Efficacy	48.79 lm/W	Efficiency	100.00%
Lamps Flux	468.36 lm	Maximum value	203.16 cd	Position	C=0.00 G=0.00	CG	Double Symmetrical

1000mm x 19mm

Semiplanos C



Luminaire

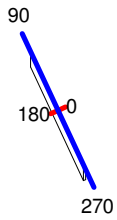
Code 71-5741+5771+2631
 Name PERFIL LED + DIFUSOR 1M 24V

Measur.

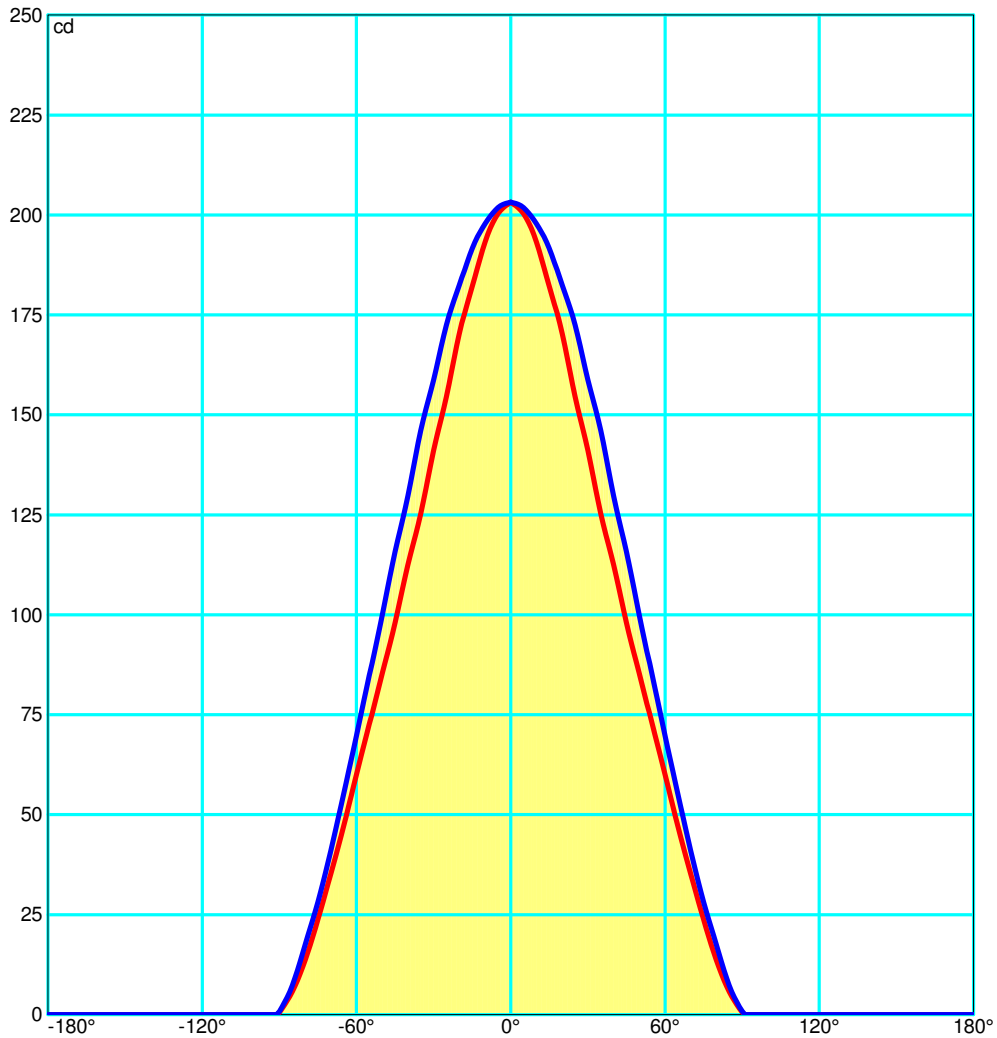
Code CL116A17F161G
 Name PERFIL LED + DIFUSOR 1M 24V

Luminaire Flux	468.36 lm	Luminaire Power	9.60 W	Efficacy	48.79 lm/W	Efficiency	100.00%
Lamps Flux	468.36 lm	Maximum value	203.16 cd	Position	C=0.00 G=0.00	CG	Double Symmetrical

1000mm x 19mm



Semiplanos C
 180.0 ——— 0.0
 270.0 ——— 90.0



Luminaire

Code 71-5741+5771+2631
 Name PERFIL LED + DIFUSOR 1M 24V

Measurement

Code CL116A17F161G
 Name PERFIL LED + DIFUSOR 1M 24V

Luminaire Flux	468.36 lm	Luminaire Power	9.60 W	Efficacy	48.79 lm/W	Efficiency	100.00%
Lamps Flux	468.36 lm	Maximum value	203.16 cd	Position	C=0.00 G=0.00	CG	Double Symmetrical

UGR
 S = 0.250

Reflectancies										
Ceiling/Cavity	0.7	0.7	0.5	0.5	0.3	0.7	0.7	0.5	0.5	0.3
Walls	0.5	0.3	0.5	0.3	0.3	0.5	0.3	0.5	0.3	0.3
WorkingPlane	0.2	0.2	0.2	0.2	0.2	0.2	0.2	0.2	0.2	0.2
RoomDimensions	ViewedCrosswise					ViewedEndwise				
x=2H y=2H	19.5	20.7	19.8	21.0	22.0	20.3	21.5	20.5	21.7	22.0
x=2H y=3H	20.9	22.0	21.2	22.3	23.4	21.7	22.9	22.1	23.2	23.4
x=2H y=4H	21.4	22.5	21.8	22.8	24.0	22.3	23.4	22.7	23.7	24.0
x=2H y=6H	21.8	22.8	22.2	23.1	24.4	22.8	23.8	23.2	24.1	24.4
x=2H y=8H	21.9	22.9	22.3	23.2	24.6	22.9	23.9	23.3	24.2	24.6
x=2H y=12H	22.0	22.9	22.4	23.2	24.6	23.0	24.0	23.4	24.3	24.6
x=4H y=2H	20.3	21.4	20.6	21.6	22.5	20.9	21.9	21.2	22.2	22.5
x=4H y=3H	21.9	22.8	22.2	23.1	24.1	22.5	23.5	22.9	23.8	24.1
x=4H y=4H	22.5	23.3	22.9	23.7	24.8	23.3	24.1	23.7	24.4	24.8
x=4H y=6H	23.0	23.7	23.4	24.1	25.3	23.9	24.6	24.3	24.9	25.3
x=4H y=8H	23.2	23.8	23.6	24.2	25.5	24.1	24.7	24.5	25.1	25.5
x=4H y=12H	23.3	23.9	23.7	24.3	25.6	24.2	24.8	24.7	25.2	25.6
x=8H y=4H	22.9	23.5	23.3	23.9	25.0	23.5	24.2	24.0	24.6	25.0
x=8H y=6H	23.5	24.0	23.9	24.4	25.7	24.2	24.8	24.7	25.2	25.7
x=8H y=8H	23.7	24.2	24.2	24.6	25.9	24.5	25.0	25.0	25.4	25.9
x=8H y=12H	23.9	24.3	24.4	24.7	26.1	24.7	25.1	25.2	25.6	26.1
x=12H y=4H	22.9	23.5	23.4	23.9	25.0	23.6	24.1	24.0	24.6	25.0
x=12H y=6H	23.6	24.0	24.0	24.5	25.7	24.3	24.8	24.8	25.2	25.7
x=12H y=8H	23.8	24.2	24.3	24.7	26.0	24.6	25.0	25.1	25.5	26.0

Luminaire

Code 71-5741+5771+2631
Name PERFIL LED + DIFUSOR 1M 24V

Measurment

Code CL116A17F161G
Name PERFIL LED + DIFUSOR 1M 24V

Luminaire Flux	468.36 lm	Luminaire Power	9.60 W	Efficacy	48.79 lm/W	Efficiency	100.00%
Lamps Flux	468.36 lm	Maximum value	203.16 cd	Position	C=0.00 G=0.00	CG	Double Symmetrical

Flujo Total=468.36 Flujo Luminaria=468.36

RI	0.60	0.80	1.00	1.25	1.50	2.00	2.50	3.00	4.00	5.00	10.00	20.00
DRR	0.34	0.43	0.50	0.57	0.62	0.71	0.76	0.80	0.85	0.87	0.93	0.97
RC	4	4	4	4	4	4	4	4	4	4	4	4

Flujo Zonal por 1000 Lúmenes

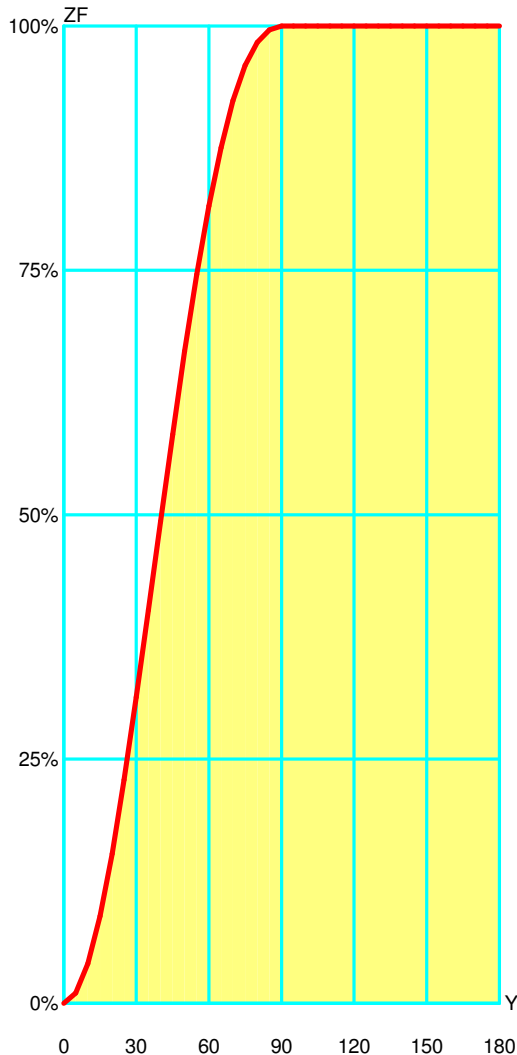
Y°	10	20	30	40	50	60	70	80	90	100	110	120	130	140	150	160	170	180
ZF(Y)	41	153	313	493	667	816	924	983	1000	1000	1000	1000	1000	1000	1000	1000	1000	1000

Códigos de Flujo C.I.E.

52 82 96 100 100

C.I.E.	4
D DIN 5040	A40
F UTE	1.00 D
B NBN	BZ 4
RN	0.00000 %
BLF	1.0

LOR	100.00000 %
ULOR	0.00000 %
DLOR	100.00000 %
UFF	0.00000 %
DFF	100.00000 %
FFR	0.00000 %



Gamma °	Flujo Zonal			
	Flujo	Suma lm	Flujo [%]	Suma [%]
0°	0.00	0.00	0.00%	0.00 %
5°	10.32	10.32	1.03 %	1.03 %
10°	30.31	40.64	3.03 %	4.06 %
15°	48.45	89.09	4.85 %	8.91 %
20°	63.81	152.90	6.38 %	15.29 %
25°	75.82	228.71	7.58 %	22.87 %
30°	84.27	312.98	8.43 %	31.30 %
35°	89.18	402.16	8.92 %	40.22 %
40°	90.73	492.89	9.07 %	49.29 %
45°	89.28	582.16	8.93 %	58.22 %
50°	85.16	667.32	8.52 %	66.73 %
55°	78.61	745.93	7.86 %	74.59 %
60°	70.02	815.96	7.00 %	81.60 %
65°	59.72	875.68	5.97 %	87.57 %
70°	48.12	923.80	4.81 %	92.38 %
75°	35.80	959.60	3.58 %	95.96 %
80°	23.72	983.32	2.37 %	98.33 %
85°	12.62	995.94	1.26 %	99.59 %
90°	4.06	1000.00	0.41 %	100.00 %
95°	0.00	1000.00	0.00 %	100.00 %
100°	0.00	1000.00	0.00 %	100.00 %
105°	0.00	1000.00	0.00 %	100.00 %
110°	0.00	1000.00	0.00 %	100.00 %
115°	0.00	1000.00	0.00 %	100.00 %
120°	0.00	1000.00	0.00 %	100.00 %
125°	0.00	1000.00	0.00 %	100.00 %
130°	0.00	1000.00	0.00 %	100.00 %
135°	0.00	1000.00	0.00 %	100.00 %
140°	0.00	1000.00	0.00 %	100.00 %
145°	0.00	1000.00	0.00 %	100.00 %
150°	0.00	1000.00	0.00 %	100.00 %
155°	0.00	1000.00	0.00 %	100.00 %
160°	0.00	1000.00	0.00 %	100.00 %
165°	0.00	1000.00	0.00 %	100.00 %
170°	0.00	1000.00	0.00 %	100.00 %
175°	0.00	1000.00	0.00 %	100.00 %
180°	0.00	1000.00	0.00 %	100.00 %

Luminaire

 Code 71-5741+5771+2631
 Name PERFIL LED + DIFUSOR 1M 24V

Measuram.

 Code CL116A17F161G
 Name PERFIL LED + DIFUSOR 1M 24V

Luminaire Flux	468.36 lm	Luminaire Power	9.60 W	Efficacy	48.79 lm/W	Efficiency	100.00%
Lamps Flux	468.36 lm	Maximum value	203.16 cd	Position	C=0.00 G=0.00	CG	Double Symmetrical

Utilizations CIE

Mounting	Direct	Normalization										Normalised					Suspension Ratio/3					Standard CIE Settings				
Ceiling																										
K	8873	8773	8871	8771	7773	7771	7753	7553	7751	7551	7731	7331	7711	7111	5551	5531	5331	5511	5111	3331	3311	1111	0000			
0.60	213	191	164	148	182	142	110	93	84	72	45	34	17	12	67	36	32	14	11	31	12	10	0			
0.80	247	226	175	161	215	154	139	121	96	85	55	43	23	17	79	46	41	20	16	39	17	15	0			
1.00	269	250	176	165	238	158	162	144	103	92	61	51	29	23	86	52	48	25	22	46	22	20	0			
1.25	289	272	174	165	259	158	185	168	107	98	68	58	36	29	92	59	55	32	28	52	28	26	0			
1.50	303	288	170	162	274	156	204	188	110	102	73	63	42	35	96	64	60	37	33	57	34	31	0			
2.00	321	309	160	154	295	149	233	218	111	105	79	71	52	44	99	71	68	47	43	65	43	40	0			
2.50	333	323	152	148	308	143	254	240	111	106	83	76	59	52	101	76	73	54	50	70	50	47	0			
3.00	341	332	145	142	317	138	269	257	110	106	86	80	65	58	101	80	77	60	56	74	56	53	0			
4.00	353	346	138	136	331	132	291	281	110	107	91	86	73	67	103	85	83	69	65	80	65	61	0			
5.00	361	355	133	131	340	128	306	297	110	108	94	89	78	73	104	88	86	74	71	84	71	67	0			
10.00	377	374	122	121	359	119	340	334	109	108	100	98	91	88	105	96	95	88	86	93	85	82	0			
20.00	386	384	115	115	369	113	359	356	108	108	104	102	99	97	105	100	100	96	95	98	93	91	0			
Wall																										
K	8873	8773	8871	8771	7773	7771	7753	7553	7751	7551	7731	7331	7711	7111	5551	5531	5331	5511	5111	3331	3311	1111	0000			
0.60	452	440	391	383	434	379	342	335	306	300	256	252	221	219	298	253	251	219	218	250	218	218	198			
0.80	507	495	425	418	486	412	396	386	344	338	295	290	258	256	334	290	288	256	255	286	255	254	230			
1.00	543	531	443	436	519	429	433	423	367	361	320	315	284	281	356	314	312	282	280	310	280	278	251			
1.25	574	562	455	449	548	442	468	457	386	381	343	337	308	304	374	336	334	305	303	331	302	300	270			
1.50	596	585	462	457	569	449	494	483	399	394	359	353	326	322	387	351	349	322	320	346	319	316	283			
2.00	616	606	459	455	588	448	523	513	407	403	373	368	344	340	394	365	362	339	337	358	335	331	294			
2.50	627	619	455	452	598	444	542	532	410	406	380	376	355	350	397	371	369	349	346	364	344	339	300			
3.00	633	625	449	446	603	439	554	544	409	406	384	379	361	356	397	374	372	354	351	366	348	343	302			
4.00	646	640	447	445	616	438	575	567	414	412	393	389	374	370	401	383	381	366	364	374	359	353	309			
5.00	656	651	447	445	625	438	591	583	418	416	401	397	384	380	406	390	389	376	373	381	368	361	315			
10.00	676	673	444	444	644	437	624	619	426	425	415	413	406	403	413	404	403	395	394	394	386	377	327			
20.00	674	673	430	430	642	424	631	629	418	417	412	411	407	405	405	400	400	395	394	389	385	375	322			
Working Pl.																										
K	8873	8773	8871	8771	7773	7771	7753	7553	7751	7551	7731	7331	7711	7111	5551	5531	5331	5511	5111	3331	3311	1111	0000			
0.60	621	608	579	570	601	564	489	481	470	465	407	402	361	359	461	402	401	359	359	400	359	358	341			
0.80	726	712	669	660	701	652	589	579	561	555	497	491	448	445	549	490	488	446	444	486	444	443	425			
1.00	809	795	738	729	780	720	671	660	635	628	572	565	523	519	620	564	561	520	518	558	517	515	498			
1.25	887	872	799	791	853	781	751	738	704	697	644	637	596	591	686	634	631	592	589	627	588	585	568			
1.50	944	930	843	836	908	824	812	798	754	748	699	691	653	647	736	687	684	647	644	678	642	638	622			
2.00	1000	1000	905	899	987	887	905	891	830	823	782	774	741	734	810	768	765	733	729	757	726	720	706			
2.50	1000	1000	943	938	1000	926	967	953	877	872	836	828	800	793	856	821	818	790	786	808	781	774	760			
3.00	1000	1000	968	965	1000	952	1000	998	910	906	874	867	842	835	889	858	855	830	827	845	821	812	799			
4.00	1000	1000	998	996	1000	983	1000	1000	950	946	920	915	894	887	928	903	901	880	877	888	868	858	846			
5.00	1000	1000	1000	1000	1000	1000	1000	1000	974	971	949	944	926	920	952	931	929	911	908	915	898	886	874			
10.00	1000	1000	1000	1000	1000	1000	1000	1000	1000	1000	1000	1000	1000	1000	1000	989	988	978	976	971	961	946	935			
20.00	1000	1000	1000	1000	1000	1000	1000	1000	1000	1000	1000	1000	1000	1000	1000	1000	1000	1000	1000	1000	996	978	968			

LM53 SHR C0-C180: 1.052 SHR C90-C270: 1.166 SHR Square: 1.224

Luminaire

Code 71-5741+5771+2631
Name PERFIL LED + DIFUSOR 1M 24V

Measur.

Code CL116A17F161G
Name PERFIL LED + DIFUSOR 1M 24V

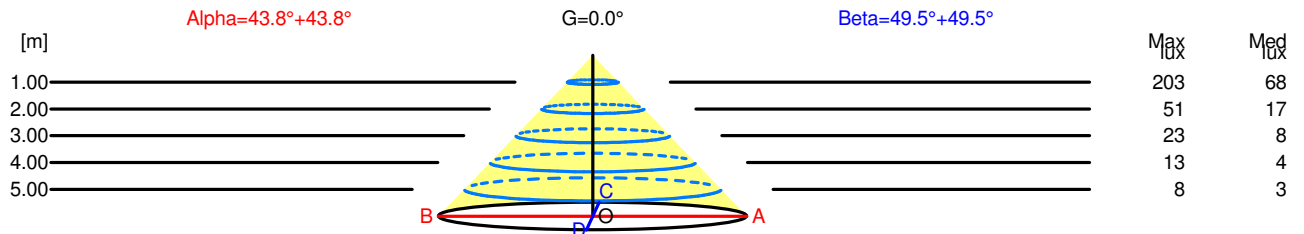
Luminaire Flux	468.36 lm	Luminaire Power	9.60 W	Efficacy	48.79 lm/W	Efficiency	100.00%
Lamps Flux	468.36 lm	Maximum value	203.16 cd	Position	C=0.00 G=0.00	CG	Double Symmetrical

Width at 50.00 % of Max Intensity

H[m]	1.00	2.00	3.00	4.00	5.00	H[m]	1.00	2.00	3.00	4.00	5.00
OA	0.96	1.92	2.87	3.83	4.79	OC	1.17	2.34	3.51	4.68	5.85
OB	0.96	1.92	2.87	3.83	4.79	OD	1.17	2.34	3.51	4.68	5.85

Luminous Intensities [cd]

	0	5	15	25	35	45	55	65	75	85
OA	203.16	200.27	182.18	154.53	125.28	98.06	72.56	47.04	23.80	5.76
OB	203.16	200.27	182.18	154.53	125.28	98.06	72.56	47.04	23.80	5.76
OC	203.16	201.81	191.69	172.45	146.10	115.80	84.78	55.10	28.18	7.28
OD	203.16	201.81	191.69	172.45	146.10	115.80	84.78	55.10	28.18	7.28



H[m]	D[m]	Max lux	Med lux	Alpha=43.8°+43.8°	G=0.0
1.00	1.92	203	68		
2.00	3.83	51	17		
3.00	5.75	23	8		
4.00	7.66	13	4		
5.00	9.58	8	3		

H[m]	D[m]	Max lux	Med lux	Beta=49.5°+49.5°	G=0.0
1.00	2.34	203	68		
2.00	4.68	51	17		
3.00	7.02	23	8		
4.00	9.37	13	4		
5.00	11.71	8	3		

Luminaire

Code 71-5741+5771+2631
 Name PERFIL LED + DIFUSOR 1M 24V

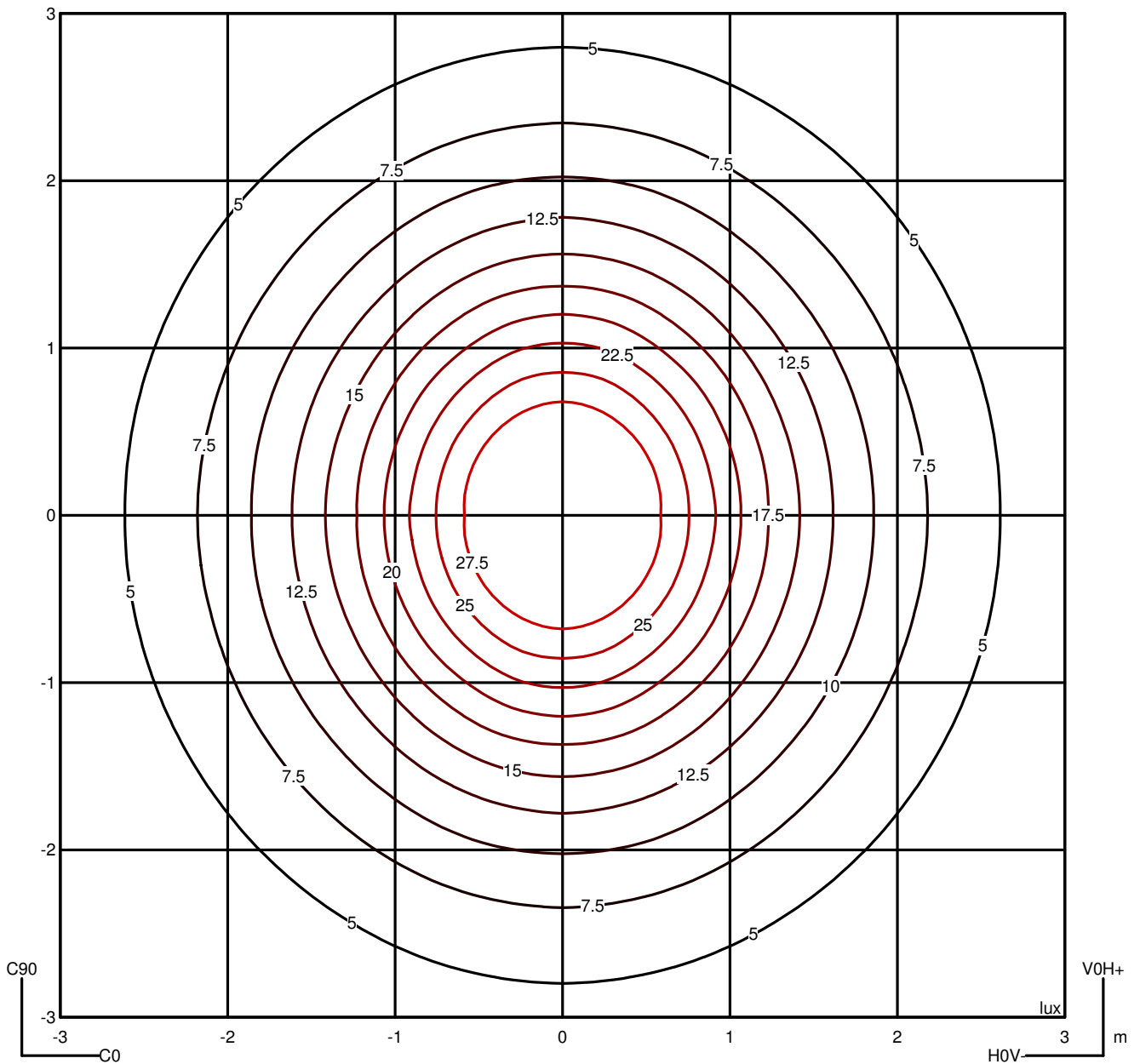
Measur.

Code CL116A17F161G
 Name PERFIL LED + DIFUSOR 1M 24V

Luminaire Flux	468.36 lm	Luminaire Power	9.60 W	Efficacy	48.79 lm/W	Efficiency	100.00%
Lamps Flux	468.36 lm	Maximum value	203.16 cd	Position	C=0.00 G=0.00	CG	Double Symmetrical

Isolux (Floor)

Luminaire position X=0.00m Y=0.00m Z=2.50m



Luminaire

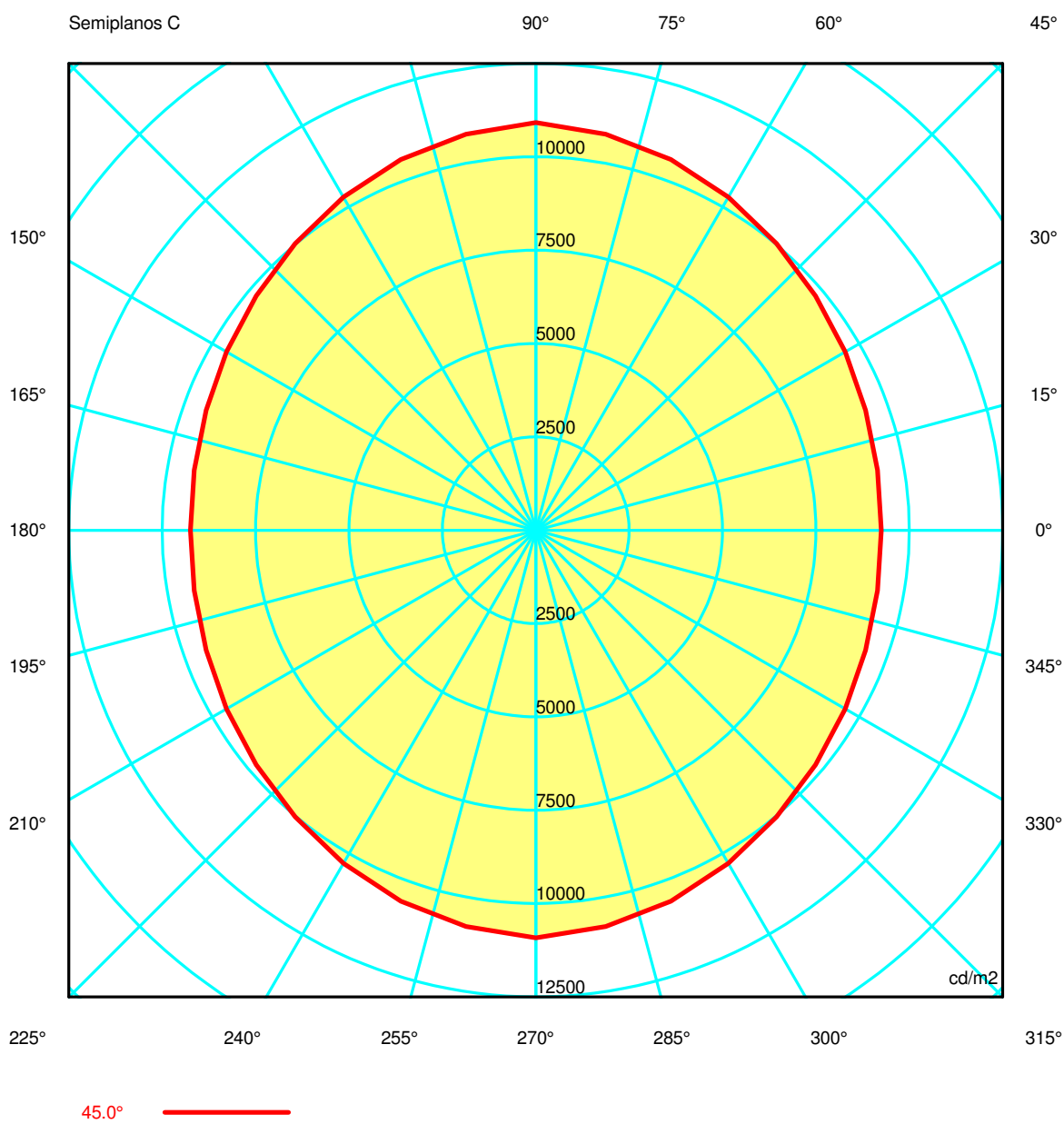
Code 71-5741+5771+2631
 Name PERFIL LED + DIFUSOR 1M 24V

Measur.

Code CL116A17F161G
 Name PERFIL LED + DIFUSOR 1M 24V

Luminaire Flux	468.36 lm	Luminaire Power	9.60 W	Efficacy	48.79 lm/W	Efficiency	100.00%
Lamps Flux	468.36 lm	Maximum value	203.16 cd	Position	C=0.00 G=0.00	CG	Double Symmetrical

Luminance



Luminaire

Code 71-5741+5771+2631
 Name PERFIL LED + DIFUSOR 1M 24V

Measurment

Code CL116A17F161G
 Name PERFIL LED + DIFUSOR 1M 24V

Luminaire Flux	468.36 lm	Luminaire Power	9.60 W	Efficacy	48.79 lm/W	Efficiency	100.00%
Lamps Flux	468.36 lm	Maximum value	203.16 cd	Position	C=0.00 G=0.00	CG	Double Symmetrical

Luminance cd/m2 Table 1/3

	C 0.00	C 10.00	C 20.00	C 30.00	C 40.00	C 50.00	C 60.00	C 70.00	C 80.00	C 90.00	C 100.00	C 110.00	C 120.00
G 0.0	13544.31	13544.31	13544.31	13544.31	13544.31	13544.31	13544.31	13544.31	13544.31	13544.31	13544.31	13544.31	13544.31
G 5.0	13402.54	13433.85	13456.18	13466.73	13470.04	13475.35	13485.84	13497.16	13503.87	13505.59	13503.87	13497.16	13485.84
G 10.0	13081.66	13095.01	13120.56	13162.84	13215.47	13260.25	13305.24	13369.43	13401.52	13388.94	13401.52	13369.43	13305.24
G 15.0	12573.85	12632.74	12696.29	12768.29	12850.91	12943.12	13038.13	13123.70	13186.63	13229.96	13186.63	13123.70	13038.13
G 20.0	12075.93	12043.18	12086.40	12207.54	12347.86	12498.65	12668.09	12845.95	12917.64	12935.55	12917.64	12845.95	12668.09
G 25.0	11366.97	11441.65	11530.81	11660.39	11848.34	12038.87	12232.41	12465.45	12625.09	12684.97	12625.09	12465.45	12232.41
G 30.0	10855.48	10872.24	10921.07	11061.02	11268.07	11519.36	11791.45	12046.61	12187.85	12215.47	12187.85	12046.61	11791.45
G 35.0	10196.04	10263.61	10382.34	10554.78	10751.89	11007.69	11306.59	11573.82	11764.02	11890.25	11764.02	11573.82	11306.59
G 40.0	9792.71	9794.51	9840.53	9997.90	10214.15	10482.67	10790.24	11089.09	11257.52	11291.82	11257.52	11089.09	10790.24
G 45.0	9245.21	9290.79	9395.41	9566.39	9771.44	10022.56	10305.72	10570.22	10771.88	10917.39	10771.88	10570.22	10305.72
G 50.0	8857.81	8885.54	8926.90	9032.33	9256.76	9530.22	9815.95	10111.82	10300.58	10368.53	10300.58	10111.82	9815.95
G 55.0	8434.19	8480.43	8548.43	8662.22	8841.00	9074.58	9324.24	9539.93	9711.58	9853.85	9711.58	9539.93	9324.24
G 60.0	7997.53	8011.31	8057.37	8172.38	8374.02	8590.42	8809.87	9063.80	9231.97	9289.45	9231.97	9063.80	8809.87
G 65.0	7419.91	7480.04	7568.29	7705.96	7892.51	8071.38	8273.06	8558.26	8675.35	8691.52	8675.35	8558.26	8273.06
G 70.0	6854.82	6892.95	6988.31	7171.72	7298.13	7451.03	7675.51	7906.48	8010.12	7978.36	8010.12	7906.48	7675.51
G 75.0	6131.27	6216.76	6275.00	6354.64	6538.87	6753.31	6990.76	7281.02	7383.93	7258.03	7383.93	7281.02	6990.76
G 80.0	5226.00	5381.70	5489.19	5603.51	5819.59	5992.69	6128.52	6371.68	6582.89	6701.37	6582.89	6371.68	6128.52
G 85.0	4409.24	4250.22	4231.40	4392.15	4642.41	4789.42	4978.86	5495.20	5753.32	5568.15	5753.32	5495.20	4978.86
G 90.0	0.00	0.00	0.00	0.00	0.00	0.00	0.00	0.00	0.00	0.00	0.00	0.00	0.00

Luminaire

Code 71-5741+5771+2631
 Name PERFIL LED + DIFUSOR 1M 24V

Measurerm.

Code CL116A17F161G
 Name PERFIL LED + DIFUSOR 1M 24V

Luminaire Flux	468.36 lm	Luminaire Power	9.60 W	Efficacy	48.79 lm/W	Efficiency	100.00%
Lamps Flux	468.36 lm	Maximum value	203.16 cd	Position	C=0.00 G=0.00	CG	Double Symmetrical

Luminance cd/m2 Table 2/3

	C 130.00	C 140.00	C 150.00	C 160.00	C 170.00	C 180.00	C 190.00	C 200.00	C 210.00	C 220.00	C 230.00	C 240.00	C 250.00
G 0.0	13544.31	13544.31	13544.31	13544.31	13544.31	13544.31	13544.31	13544.31	13544.31	13544.31	13544.31	13544.31	13544.31
G 5.0	13475.35	13470.04	13466.73	13456.18	13433.85	13402.54	13433.85	13456.18	13466.73	13470.04	13475.35	13485.84	13497.16
G 10.0	13260.25	13215.47	13162.84	13120.56	13095.01	13081.66	13095.01	13120.56	13162.84	13215.47	13260.25	13305.24	13369.43
G 15.0	12943.12	12850.91	12768.29	12696.29	12632.74	12573.85	12632.74	12696.29	12768.29	12850.91	12943.12	13038.13	13123.70
G 20.0	12498.65	12347.86	12207.54	12086.40	12043.18	12075.93	12043.18	12086.40	12207.54	12347.86	12498.65	12668.09	12845.95
G 25.0	12038.87	11848.34	11660.39	11530.81	11441.65	11366.97	11441.65	11530.81	11660.39	11848.34	12038.87	12232.41	12465.45
G 30.0	11519.36	11268.07	11061.02	10921.07	10872.24	10855.48	10872.24	10921.07	11061.02	11268.07	11519.36	11791.45	12046.61
G 35.0	11007.69	10751.89	10554.78	10382.34	10263.61	10196.04	10263.61	10382.34	10554.78	10751.89	11007.69	11306.59	11573.82
G 40.0	10482.67	10214.15	9997.90	9840.53	9794.51	9792.71	9794.51	9840.53	9997.90	10214.15	10482.67	10790.24	11089.09
G 45.0	10022.56	9771.44	9566.39	9395.41	9290.79	9245.21	9290.79	9395.41	9566.39	9771.44	10022.56	10305.72	10570.22
G 50.0	9530.22	9256.76	9032.33	8926.90	8885.54	8857.81	8885.54	8926.90	9032.33	9256.76	9530.22	9815.95	10111.82
G 55.0	9074.58	8841.00	8662.22	8548.43	8480.43	8434.19	8480.43	8548.43	8662.22	8841.00	9074.58	9324.24	9539.93
G 60.0	8590.42	8374.02	8172.38	8057.37	8011.31	7997.53	8011.31	8057.37	8172.38	8374.02	8590.42	8809.87	9063.80
G 65.0	8071.38	7892.51	7705.96	7568.29	7480.04	7419.91	7480.04	7568.29	7705.96	7892.51	8071.38	8273.06	8558.26
G 70.0	7451.03	7298.13	7171.72	6988.31	6892.95	6854.82	6892.95	6988.31	7171.72	7298.13	7451.03	7675.51	7906.48
G 75.0	6753.31	6538.87	6354.64	6275.00	6216.76	6131.27	6216.76	6275.00	6354.64	6538.87	6753.31	6990.76	7281.02
G 80.0	5992.69	5819.59	5603.51	5489.19	5381.70	5226.00	5381.70	5489.19	5603.51	5819.59	5992.69	6128.52	6371.68
G 85.0	4789.42	4642.41	4392.15	4231.40	4250.22	4409.24	4250.22	4231.40	4392.15	4642.41	4789.42	4978.86	5495.20
G 90.0	0.00	0.00	0.00	0.00	0.00	0.00	0.00	0.00	0.00	0.00	0.00	0.00	0.00

Luminaire

Code 71-5741+5771+2631
Name PERFIL LED + DIFUSOR 1M 24V

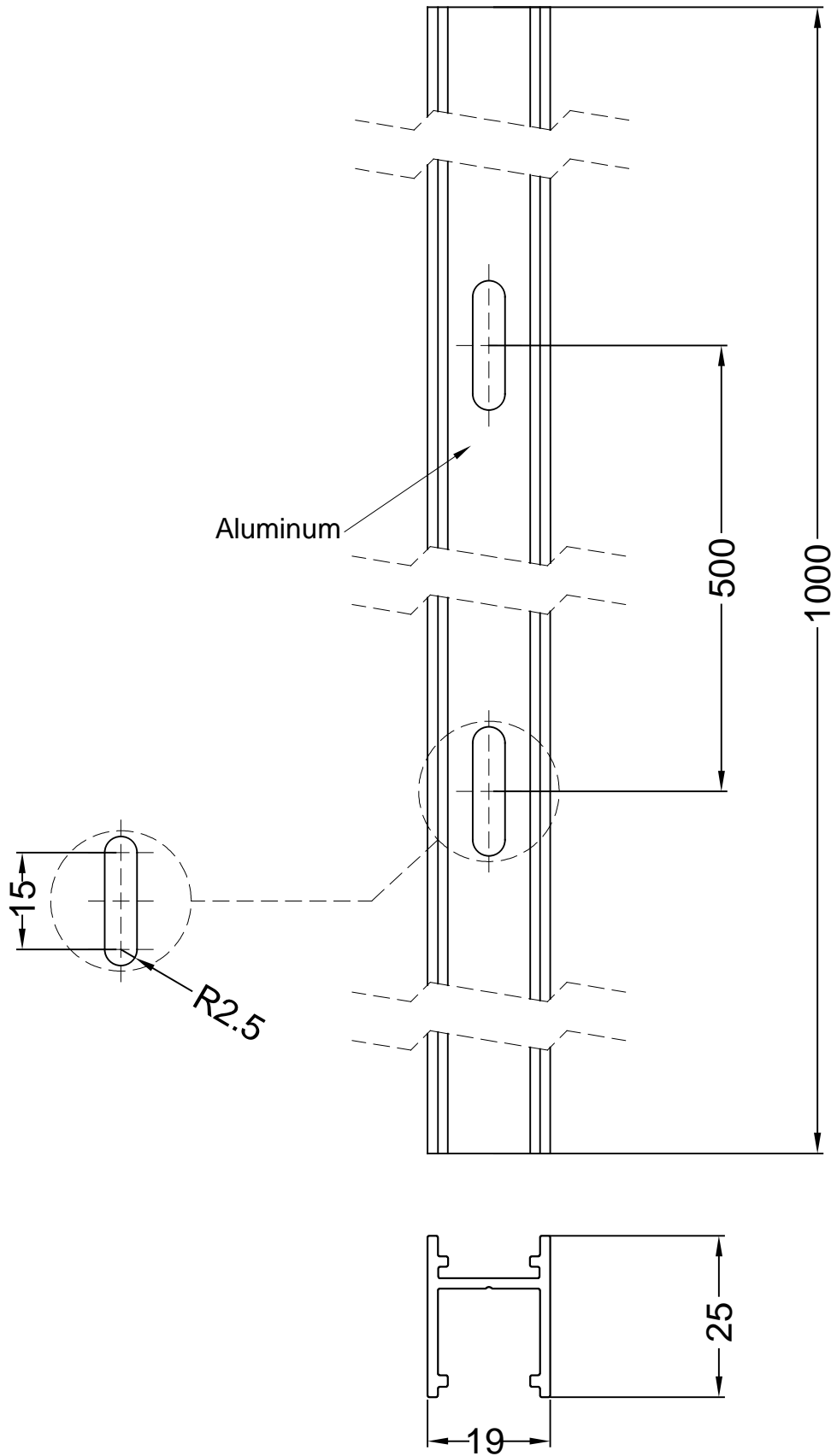
Measur.

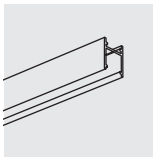
Code CL116A17F161G
Name PERFIL LED + DIFUSOR 1M 24V

Luminaire Flux	468.36 lm	Luminaire Power	9.60 W	Efficacy	48.79 lm/W	Efficiency	100.00%
Lamps Flux	468.36 lm	Maximum value	203.16 cd	Position	C=0.00 G=0.00	CG	Double Symmetrical

Luminance cd/m2 Table 3/3

	C 260.00	C 270.00	C 280.00	C 290.00	C 300.00	C 310.00	C 320.00	C 330.00	C 340.00	C 350.00
G 0.0	13544.31	13544.31	13544.31	13544.31	13544.31	13544.31	13544.31	13544.31	13544.31	13544.31
G 5.0	13503.87	13505.59	13503.87	13497.16	13485.84	13475.35	13470.04	13466.73	13456.18	13433.85
G 10.0	13401.52	13388.94	13401.52	13369.43	13305.24	13260.25	13215.47	13162.84	13120.56	13095.01
G 15.0	13186.63	13229.96	13186.63	13123.70	13038.13	12943.12	12850.91	12768.29	12696.29	12632.74
G 20.0	12917.64	12935.55	12917.64	12845.95	12668.09	12498.65	12347.86	12207.54	12086.40	12043.18
G 25.0	12625.09	12684.97	12625.09	12465.45	12232.41	12038.87	11848.34	11660.39	11530.81	11441.65
G 30.0	12187.85	12215.47	12187.85	12046.61	11791.45	11519.36	11268.07	11061.02	10921.07	10872.24
G 35.0	11764.02	11890.25	11764.02	11573.82	11306.59	11007.69	10751.89	10554.78	10382.34	10263.61
G 40.0	11257.52	11291.82	11257.52	11089.09	10790.24	10482.67	10214.15	9997.90	9840.53	9794.51
G 45.0	10771.88	10917.39	10771.88	10570.22	10305.72	10022.56	9771.44	9566.39	9395.41	9290.79
G 50.0	10300.58	10368.53	10300.58	10111.82	9815.95	9530.22	9256.76	9032.33	8926.90	8885.54
G 55.0	9711.58	9853.85	9711.58	9539.93	9324.24	9074.58	8841.00	8662.22	8548.43	8480.43
G 60.0	9231.97	9289.45	9231.97	9063.80	8809.87	8590.42	8374.02	8172.38	8057.37	8011.31
G 65.0	8675.35	8691.52	8675.35	8558.26	8273.06	8071.38	7892.51	7705.96	7568.29	7480.04
G 70.0	8010.12	7978.36	8010.12	7906.48	7675.51	7451.03	7298.13	7171.72	6988.31	6892.95
G 75.0	7383.93	7258.03	7383.93	7281.02	6990.76	6753.31	6538.87	6354.64	6275.00	6216.76
G 80.0	6582.89	6701.37	6582.89	6371.68	6128.52	5922.69	5819.59	5603.51	5489.19	5381.70
G 85.0	5753.32	5568.15	5753.32	5495.20	4978.86	4789.42	4642.41	4392.15	4231.40	4250.22
G 90.0	0.00	0.00	0.00	0.00	0.00	0.00	0.00	0.00	0.00	0.00

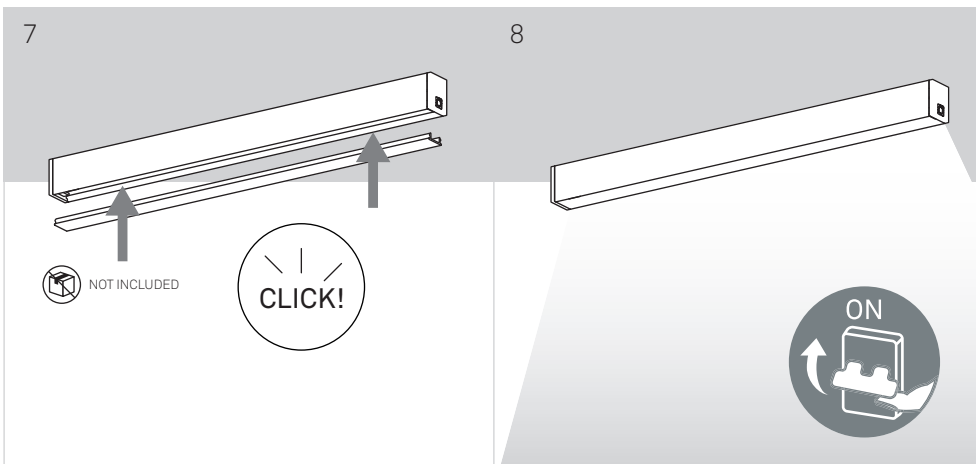
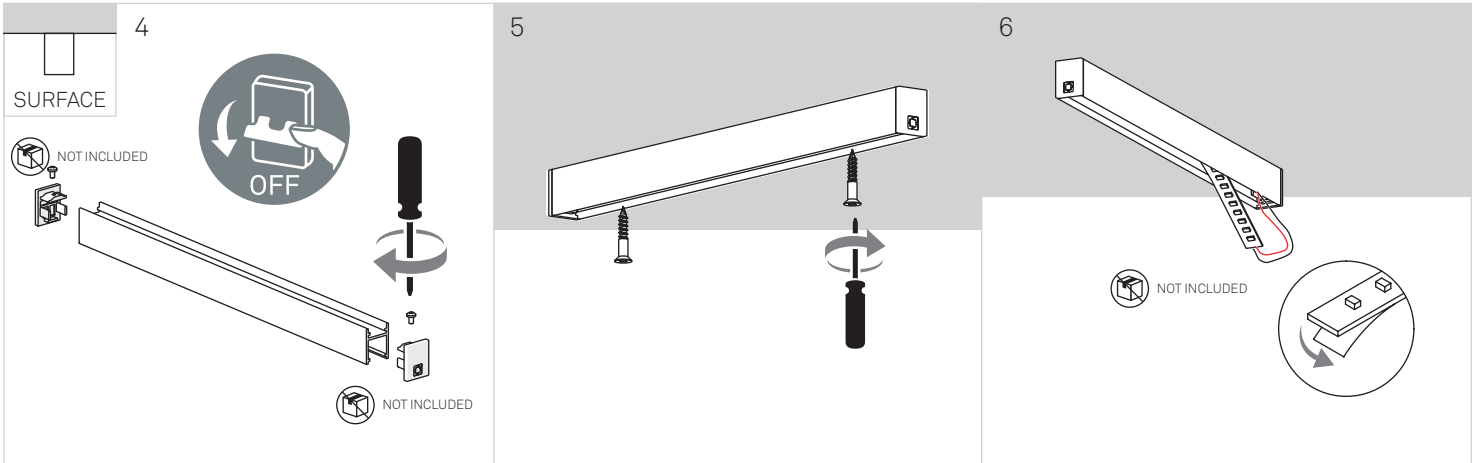
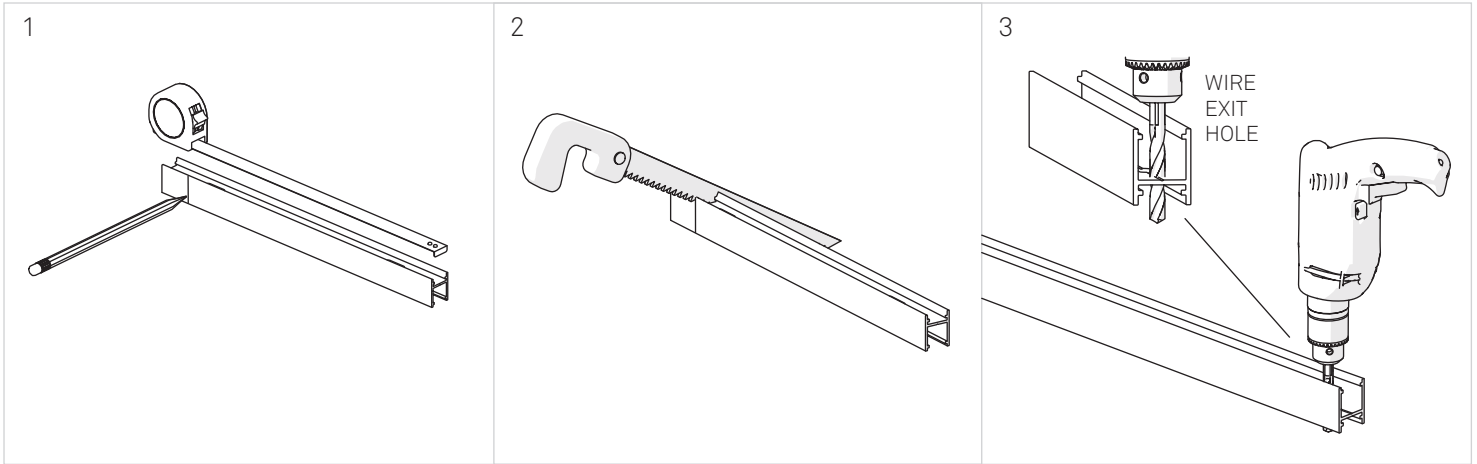
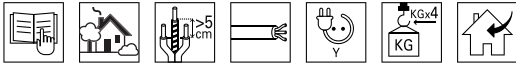


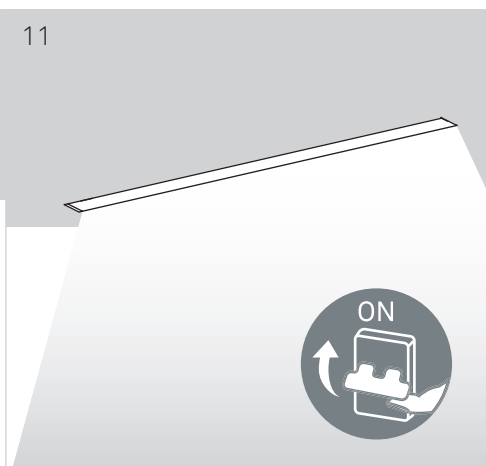
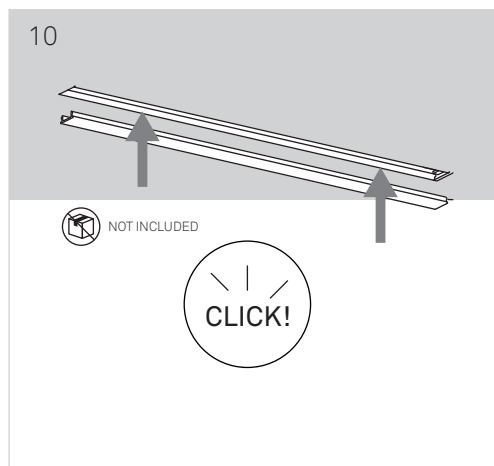
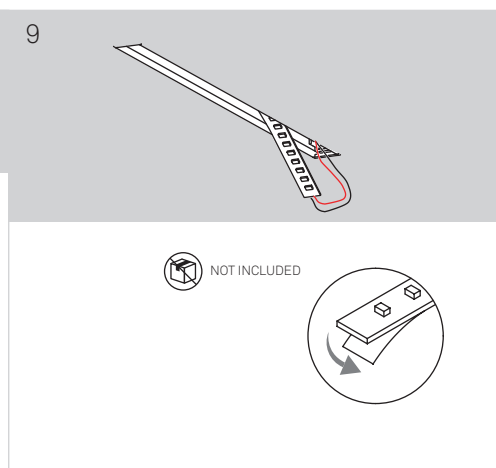
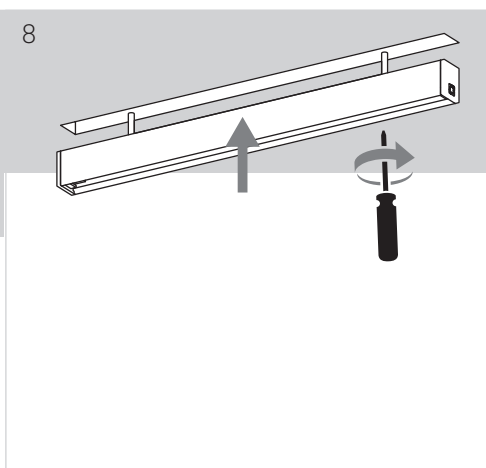
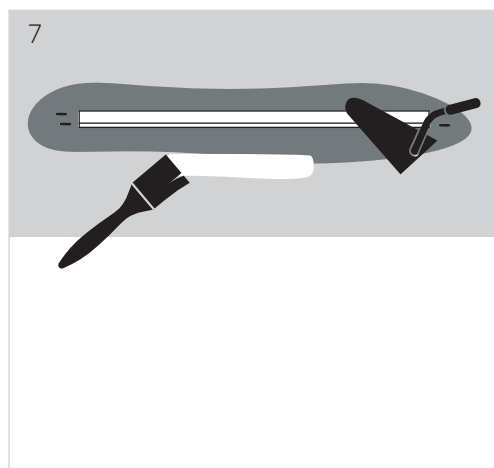
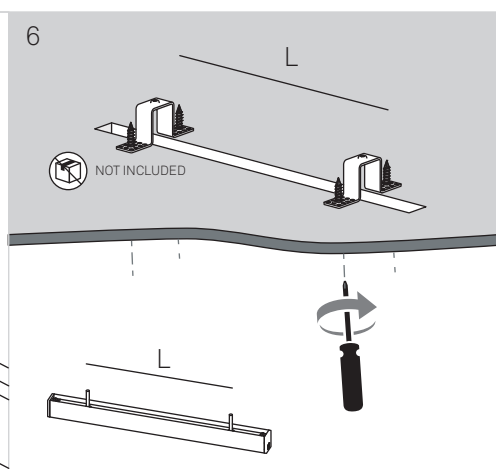
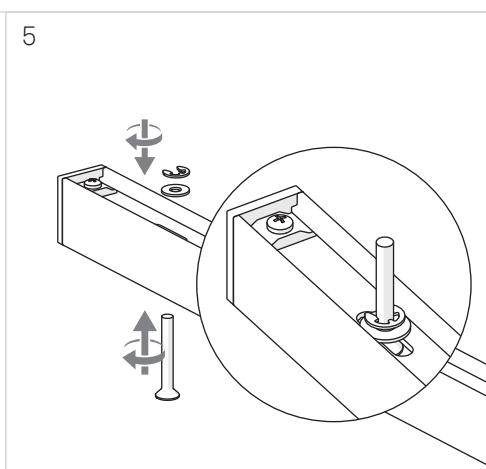
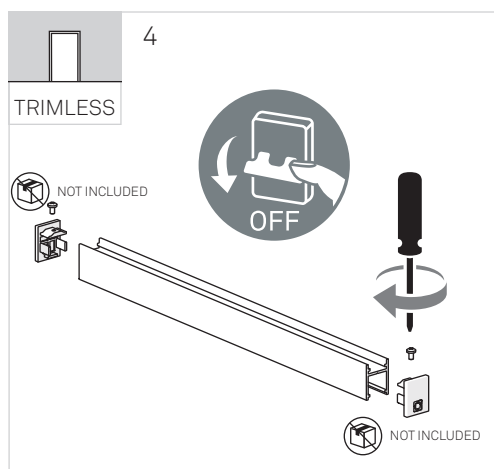
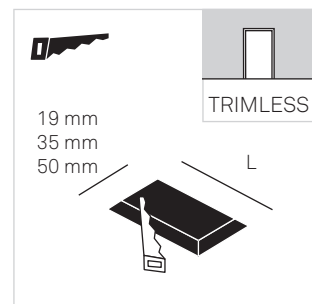


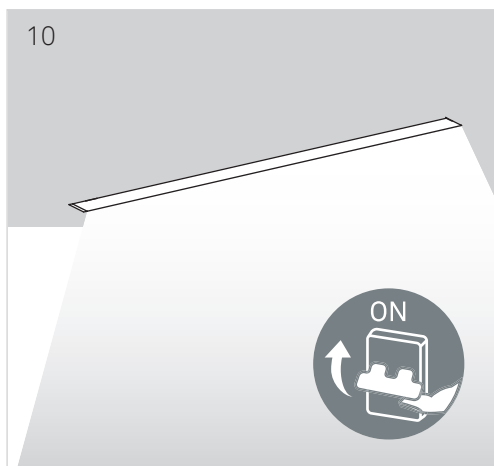
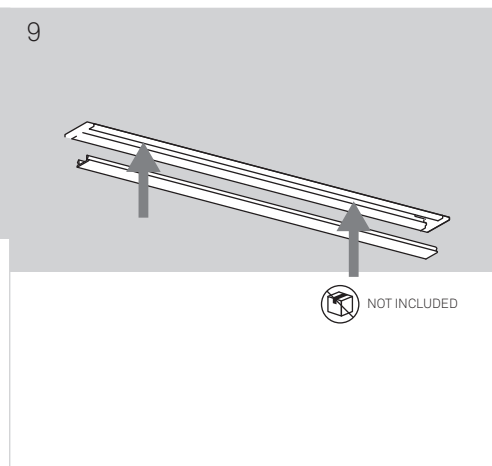
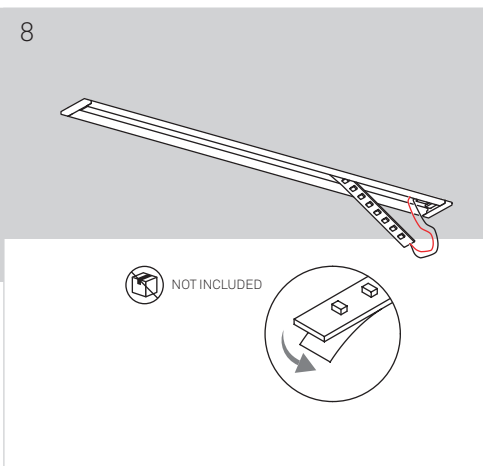
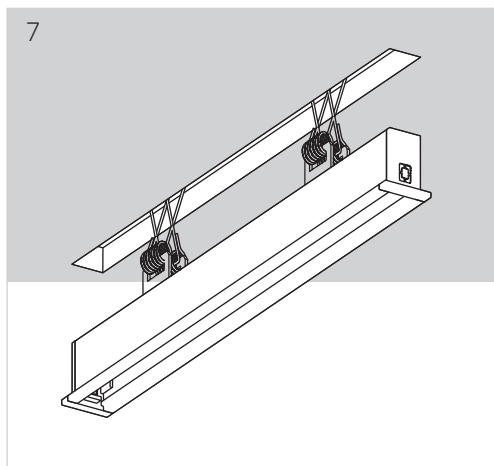
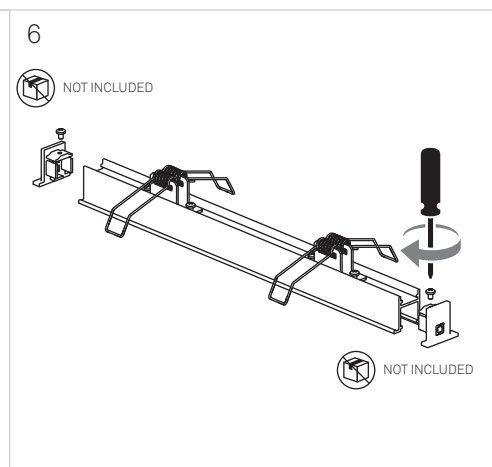
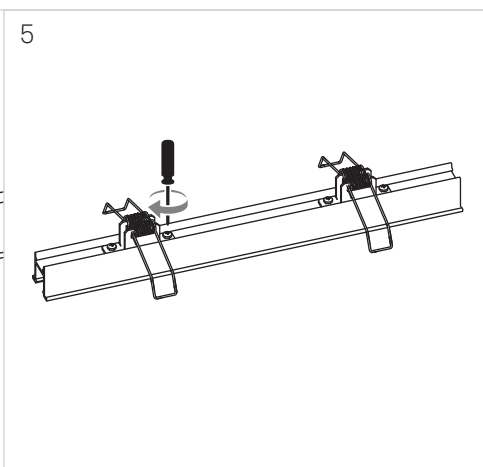
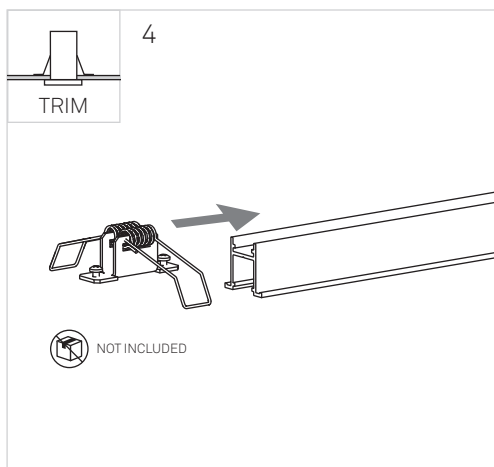
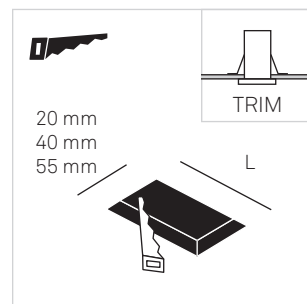
TAGLIO DI LUCE

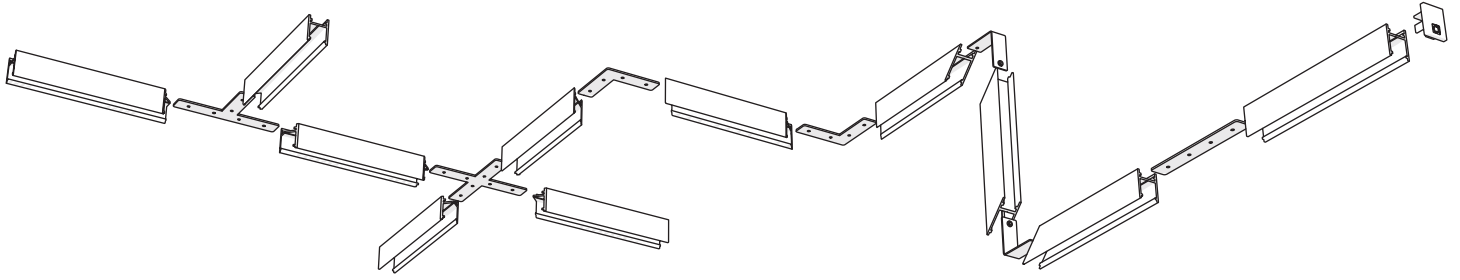
DIRECT

LEDS C4

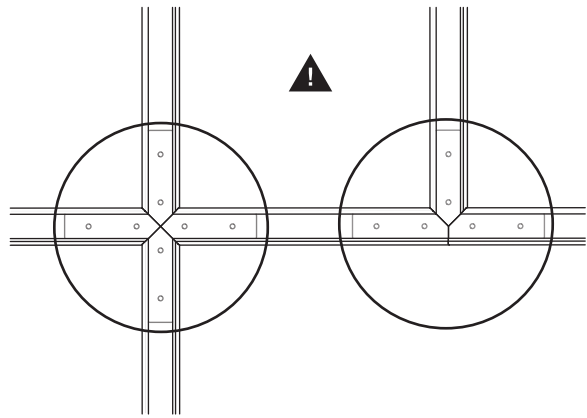
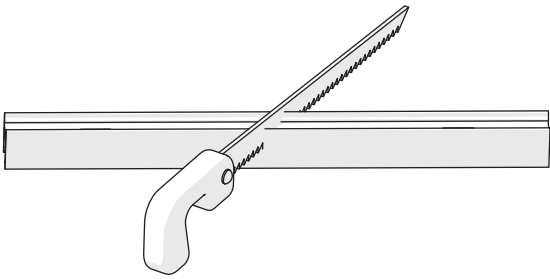








1



2

