

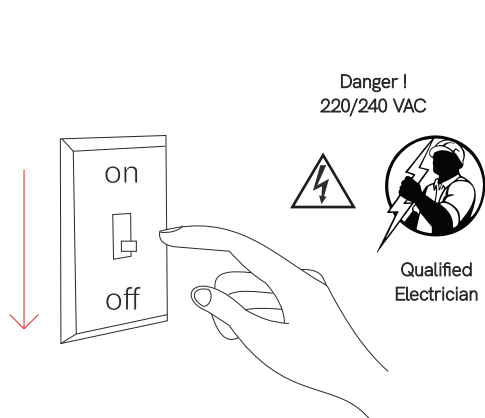
# Piccolo base

surface

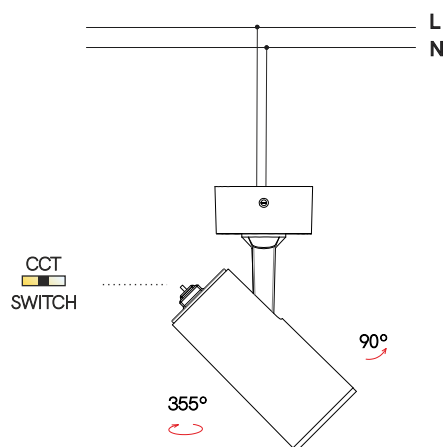
4833, 4834

9,5W

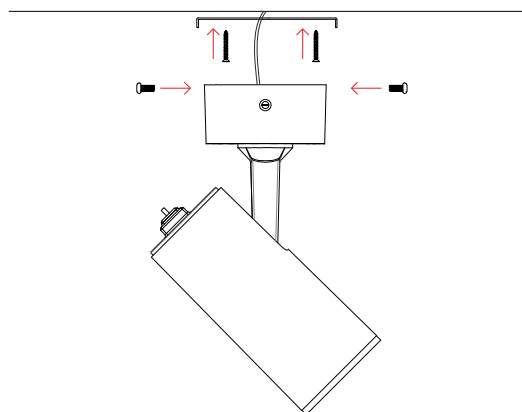
Instrucciones de montaje/ Assembly instructions/ Instructions de montage/ Montageanleitung/ Istruzioni di montaggio



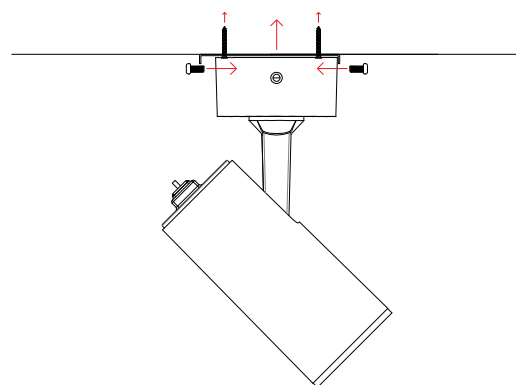
1.0



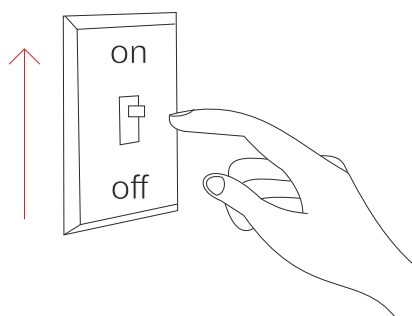
2.0



3.0



4.0



5.0