

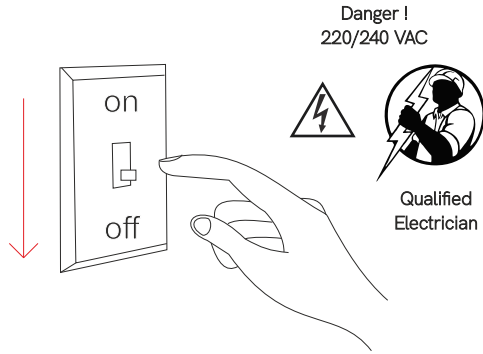
# Kom 3PH 20W

three phase track

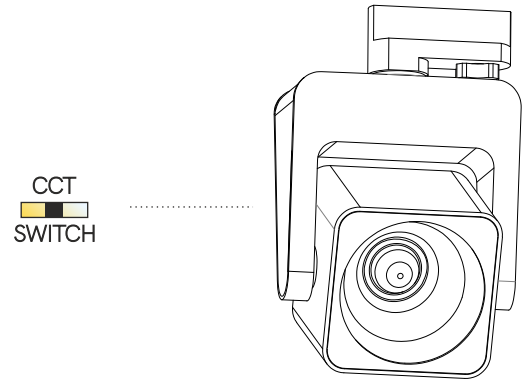
4337, 4339

20W

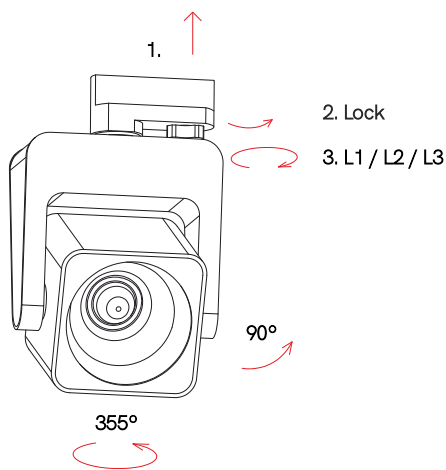
Instrucciones de montaje/ Assembly instructions/ Instructions de montage/ Montageanleitung/ Istruzioni di montaggio



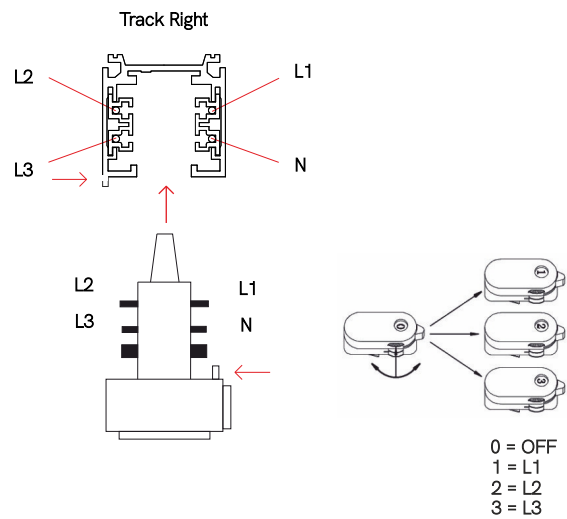
1.0



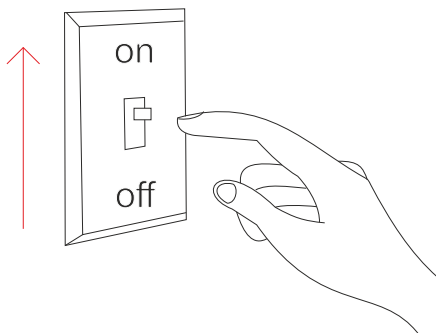
2.0



3.0



4.0



5.0