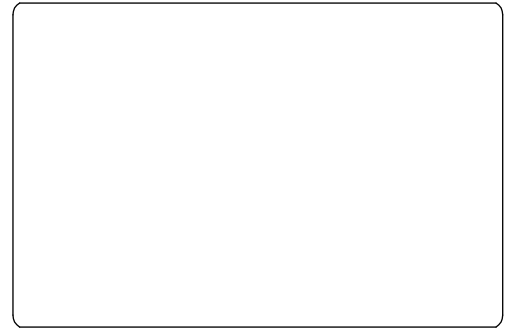
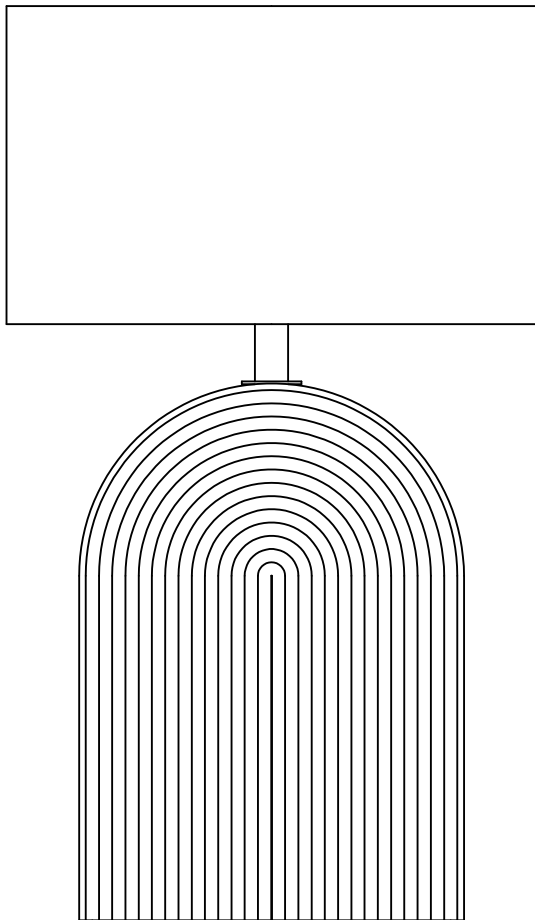


LOPO

NAC137

aromas

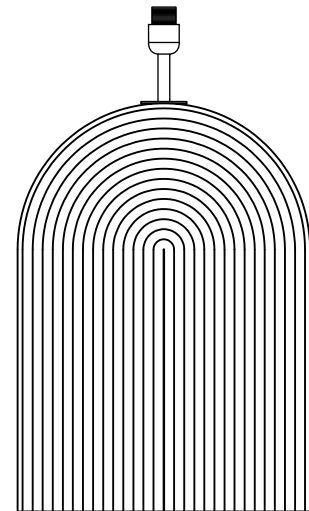
Power: 220-240 V 50/60 Hz 60 W



Ⓒ X 1*



Ⓑ X 1



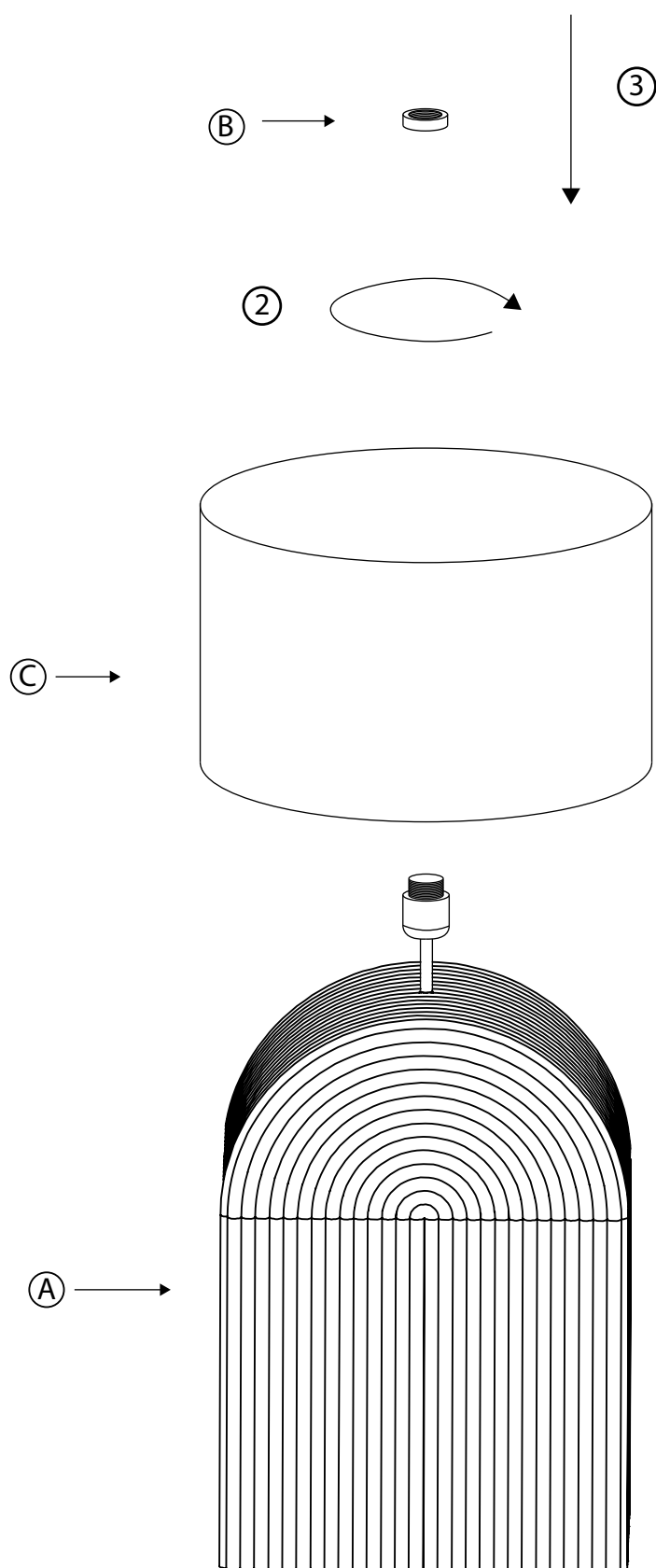
Ⓐ X 1

***PANTALLA NO INCLUIDA**
SHADE NOT INCLUDED

LOPO

NAC137

aromas



- ① **Sobre la base colocar la pantalla/**
Place the shade on the base
- ② **Roscar la pantalla para así bloquearla/**
Screw down the shade to lock it
- ③ **Colocar la bombilla /**
Install the bulb