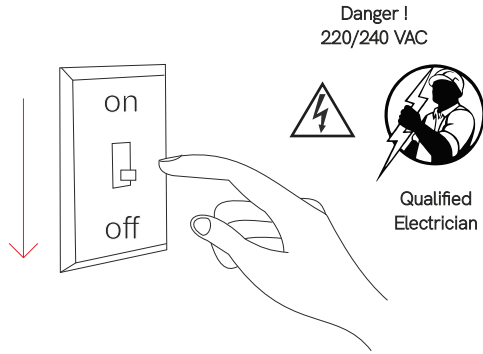


Kom 3PH 40W

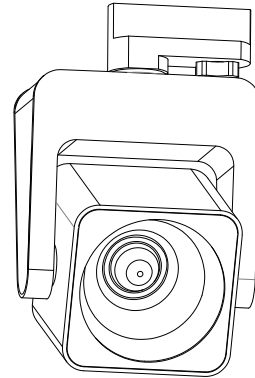
three phase track

4444, 4445, 4447, 4448 40W

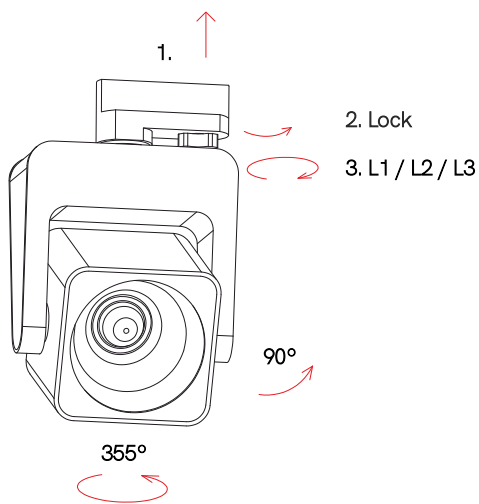
Instrucciones de montaje/ Assembly instructions/ Instructions de montage/ Montageanleitung/ Istruzioni di montaggio



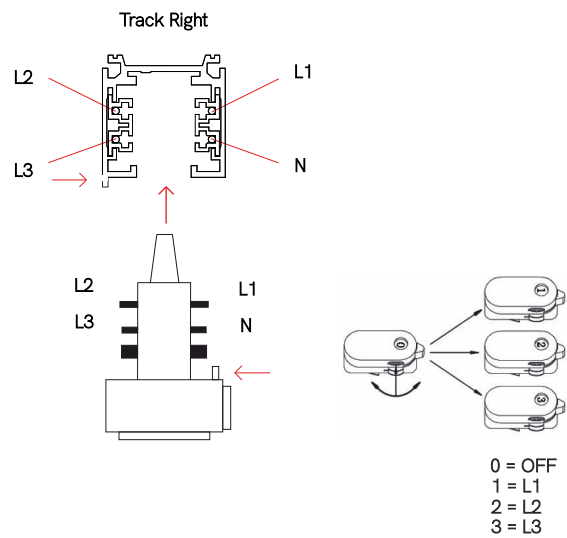
1.0



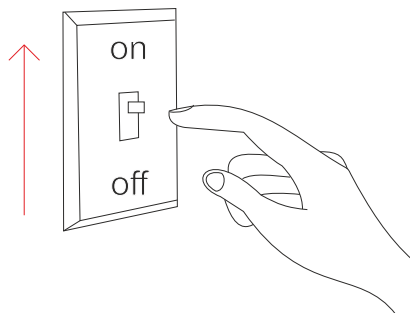
2.0



3.0



4.0



5.0